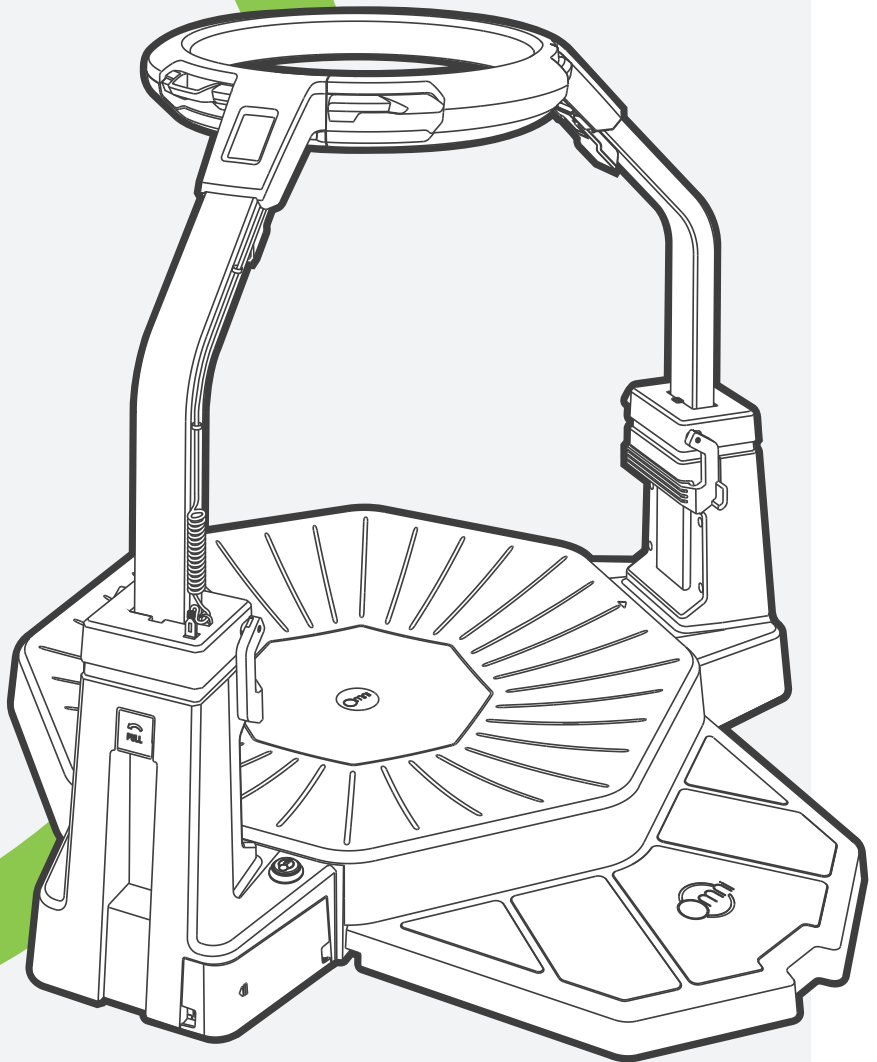




# VIRTUIX OMNI OWNER'S MANUAL



Product may vary slightly from pictured.

**Thank you for  
purchasing the  
Virtuix Omni™.**



## **WARNING**

To avoid risk of injury or damage, read and follow all assembly and usage instructions before using the Virtuix Omni products. Do not use the Virtuix Omni products if you are pregnant, intoxicated, epileptic, or recovering from major surgery, illness, or a heart attack. This product is intended for use by healthy adults between 4'8" (142 cm) and 6'5" (195 cm) tall, and not more than 285 lbs (130 kg). Do not attempt to use the Omni if you do not meet the height/weight requirements, or if you are not healthy enough to engage in moderate to heavy physical exercise.

Exercise can present a health risk. Consult a physician before beginning any exercise program with this equipment. If you feel faint or dizzy, immediately discontinue use of this equipment. Serious bodily injury can occur if this equipment is not assembled or used correctly. Keep others and pets away from equipment when in use. Always make sure all bolts and nuts are securely tightened prior to each use.

# 1. WELCOME TO THE OMNIVERSE™

## A Revolution Is Underway

Since we first acquired the gift of imagination, our deepest desire has been to physically inhabit our fantasies, transcending, if only for a while, the restrictions imposed on us by the real world. This quest has taken us past many milestones; from the birth of language and the first cave painting to the printed word and the motion picture. In the past few decades, technology has made it possible to interact with our creations in the form of videogames. More recently, head-mounted displays have allowed us to peek inside the virtual world, and feel as though we are finally there - almost.

One barrier has continued to halt that first step into the unknown. How do we escape the physical confines of our crowded spaces, and move naturally, impulsively, without limits? Attempting to impel our virtual avatars with our hands has been proven to break immersion and trigger the nauseating symptoms of simulator sickness. This has led some to question whether true first-person Virtual Reality (VR) can be had at all without drastic compromises.

There is an answer. The Virtuix Omni is a first-of-its-kind omnidirectional treadmill that frees users from passive, seated experiences, unleashing the full potential of virtual reality. Locomotion using a keyboard or gamepad simply pales in comparison once you've tried true, Active VR.

You are about to embark on an incredible journey. Not only are your VR experiences poised to be more enjoyable and immersive, you will also benefit from improved fitness. The Omni is the antidote to our now dangerously sedentary modern lifestyle. Traditional exercise and dieting regimes run contrary to our internal programming and so are difficult to maintain, but our instinctive urge to explore can be harnessed to make healthy movement a pleasure again, and not a chore.

Applications of locomotion in VR stretch far beyond gaming and fitness: education, training, tourism, business and social meetups ... the possibilities are limitless. The Omni's immersive technology opens up a new realm of potential, revolutionizing how we live, learn, work and play. The world will never be the same.

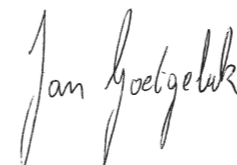
Creating the Omni was a challenging process that required years of research and development. In that time, we have also crafted a special adventure for you to enjoy as you embark on your first voyage into the virtual world. Included with your purchase of the Virtuix Omni, we are proud to present – TRAVR.

Professor Tristan Verstraeten, AKA 'Doc V', will be your guide as you join the fight against the evil society known as Hades. He will begin helping you right away, even from within the pages of this manual!

The lore of TRAVR is intricately tied to the origin of the Virtuix Omni itself, and you may find yourself questioning where fiction ends, and reality begins. From all of us at Virtuix, we thank you for sharing our vision, and bid you safe travels in the Omniverse.

Get ready to enter a new world.

With thanks,



Jan and the Virtuix team



## 2. INDEX

OMNI PARTS LIST	08
BEFORE YOU BEGIN	12
SAFETY INSTRUCTIONS	14
INSTALLATION AND ASSEMBLY	16
ASSEMBLE METAL BASE FRAME	18
CONNECT THE OMNI CABLES	20
LAY DOWN DECK AND BASE	24
INSERT GAS SPRINGS	26
INSERT ARMS	28
INSERT RING	30
CONNECT RING CABLE	32

ASSEMBLE THE HARNESS	34
SET UP ACCESSORIES	36
INSTRUCTIONS AND FIRST USE	38
OTHER USAGE INSTRUCTIONS	48
DISASSEMBLY AND MAINTENANCE	52
OMNI CONNECT AND OMNI ONLINE	54
CONDITIONING GUIDELINES	55
LIMITED WARRANTY	56
TRAVR	64
TRANSLATIONS	66
FCC AND IC	78

# 3-1. OMNI PARTS LIST

Doc V: "You received a large Omni package that included a smaller box that contained this manual. Lay out the contents of both packages and check to see that all parts listed below are present. If any parts are missing, contact us at [support@virtuix.com](mailto:support@virtuix.com)."

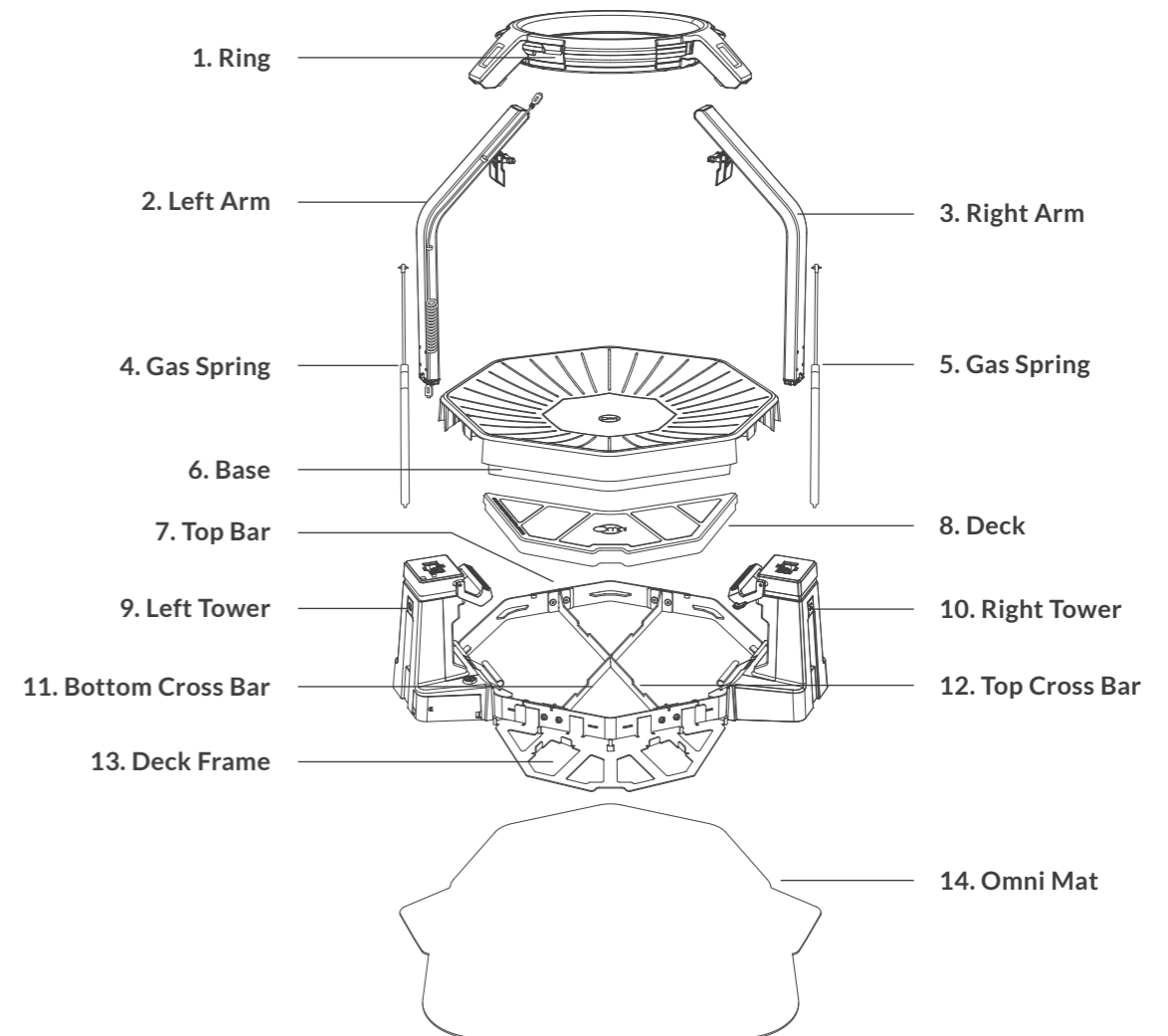


**Doc V**

Hi there! I'm Professor Tristan Verstraeten, AKA 'Doc V', and I'm here to help you set up your Omni. During the course of my research in the field of quantum physics, I discovered a way to break through the bonds of time and space, allowing for unlimited travel across our world and the ones beyond via the creation of a 'virtual space' - or 'Verse' for short. I've heard people say I named it after myself, but of course I would never do that!

Navigating the Verse requires a special kind of locomotion device, of which you are now the proud owner. If you are interested in learning more about how the Omni came to be, check out the TRAVR chapter at the back of this manual or my lore videos at [www.virtuix.com/lore](http://www.virtuix.com/lore).

## The Big Omni Package Includes The Following Omni Components:

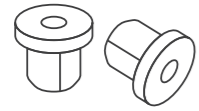


### WARNING

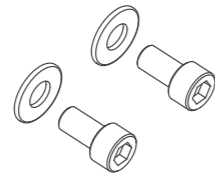
To avoid risk of injury or damage, please read and follow all safety, assembly and operational instructions, and observe the usage and conditioning guidelines before using the Virtuix Omni products.

# 3-2. OMNI PARTS LIST

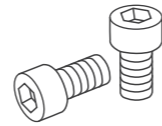
Doc V: "If you ordered additional shoes, harnesses, and accessories, note that those will be delivered in one or more separate packages."



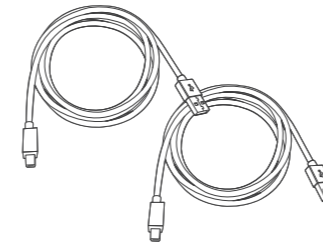
13. D-Shaped Pin x8



14. Bolt & Washer x8



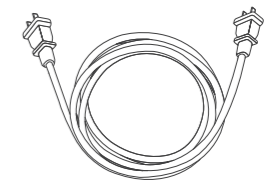
15. Harness Screws x6



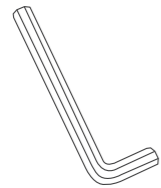
21. USB-Pod Cables x2



22. 15ft. USB-PC Cable x1



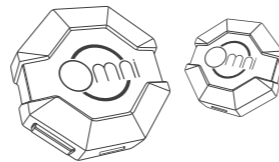
23. Power Cable + Adaptor x1



16. Allen Wrench x2

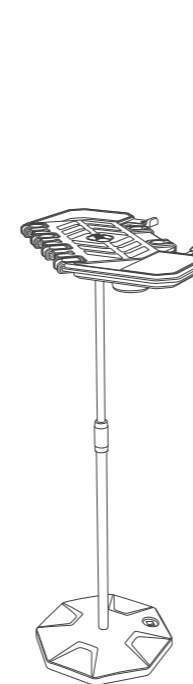


17. Shoe x2  
(shipped separately)

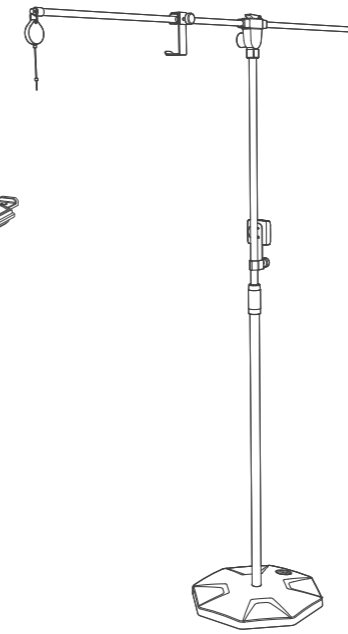


18. Pod x2

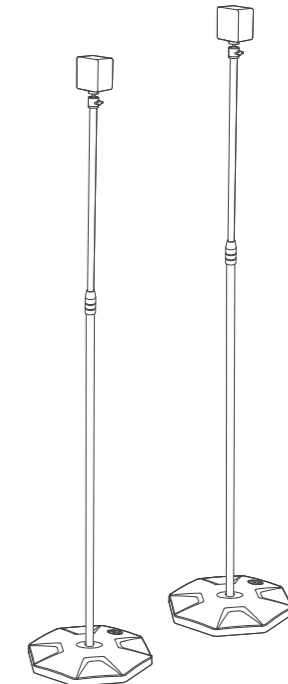
## Available Separately From Our Store:



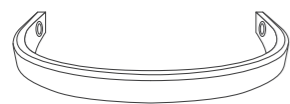
Rack



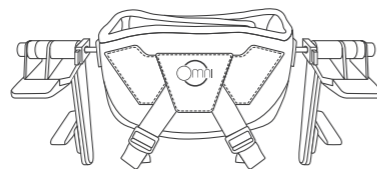
Boom



Stands



19. Harness Frame x1



20. Belt and 2x Supports

# 4. BEFORE YOU BEGIN



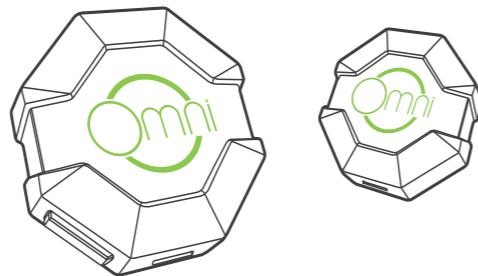
**A.** First, let's be sure to download the Omni software and TRAVR experiences, if you haven't already – as this process may take several hours to complete. Visit [www.virtuix.com/download](http://www.virtuix.com/download) to download all files.



**Visit Online**  
[www.virtuix.com/download](http://www.virtuix.com/download)

**B.** Next, let's charge up your two Omni Pods. Your package includes two USB charging cables. Plug both Pods via the cables into any available USB ports of your PC.

**USB Connector**



Doc V: "For your convenience, I have created a series of instructional videos that will guide you during your setup and first use of the Omni. If you are near your computer or mobile device, go ahead and load our video page at [www.virtuix.com/instructions](http://www.virtuix.com/instructions) or simply use the following QR code."

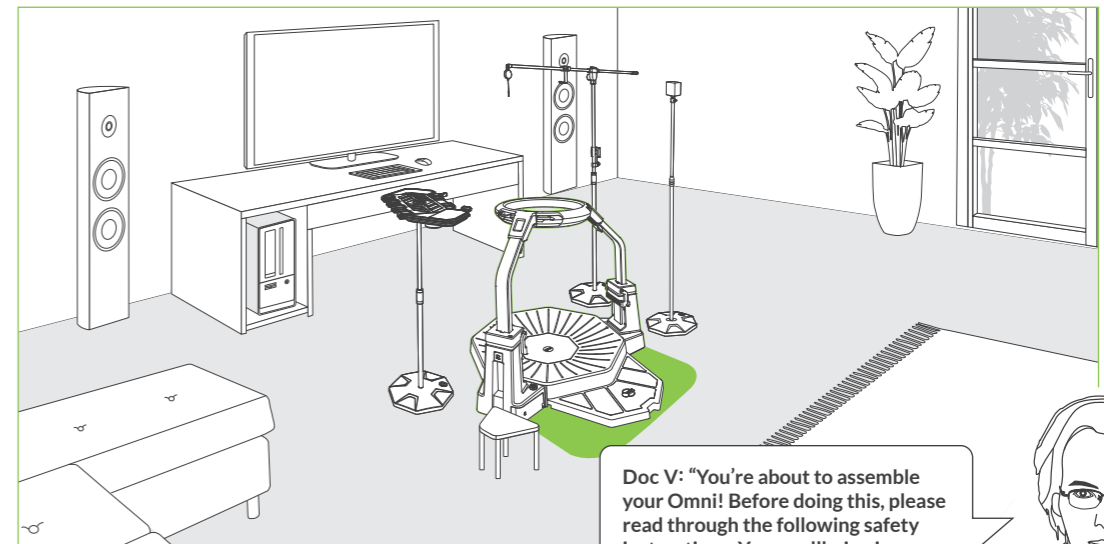


**C.** Let's make space for your Omni, if you haven't already done so. Use the Omni Mat to designate a space on the floor where you would like your Omni to be. Preferably this should be close to your computer desk so that your keyboard and mouse are within reach. Make sure that items such as TVs, monitors, and lamps are far enough away that you will not risk hitting them with your hands or hand-held controllers while using the Omni.

If you have not purchased our optional Omni Rack (available at [www.virtuix.com](http://www.virtuix.com)), we suggest you provide a table near the Omni Mat to hold your gamepad or gun controller, VR peripherals, drinks, etc.

Place the optional Omni Boom near the Omni Mat for management of the HMD cable. If you did not order the optional Omni Boom (available at [www.virtuix.com](http://www.virtuix.com)), your PC should be close enough so that you have sufficient slack in your HMD cable. If your HMD cable is not long enough, we can supply a 15ft. extension cable specifically designed for use with the Omni (also available from [www.virtuix.com](http://www.virtuix.com)).

Finally, place a chair to the left of the Omni Mat, so you can comfortably put on the Omni Shoes and step onto the Deck before entering the Omni.



Doc V: "You're about to assemble your Omni! Before doing this, please read through the following safety instructions. Your wellbeing is my primary concern!"



# 5. SAFETY INSTRUCTIONS

## ! WARNING

To avoid risk of injury or damage, read and follow all assembly and usage instructions before using the Virtuix Omni products.



## ! WARNING

This product contains a chemical known to the State of California to cause cancer and birth defects or other reproductive harm.



## ! WARNING

Do not use the Virtuix Omni products if you are pregnant, intoxicated, epileptic, or recovering from major surgery, illness, or a heart attack.



## ! WARNING

This product is intended for use by healthy adults between 4'8" (142 cm) and 6'5" (195 cm) tall, and not more than 285 lbs (130 kg).

**Do not attempt to use the Omni if you do not meet the height/weight requirements, or if you are not healthy enough to engage in moderate to heavy physical exercise.**

Consult a physician if you are unsure whether you are healthy enough to use the Virtuix Omni products. Do not use the Omni for longer than one hour at a time. Failure to follow usage instructions can result in injuries.

## ! CAUTION

Place the included Omni Mat on the intended surface before setting up the Omni. The Omni Mat provides important instructions for safe placement, extends the safe area for wearing the Omni Shoes, helps with controlling sound, and protects against damage to floors.



**Use of the Virtuix Omni on hardwood floors without the Omni Mat may cause scratching damage to the floor surface.**

## ! CAUTION

Before using the Virtuix Omni products, be sure that the Omni is placed in a safe location where full extension of your limbs (including any handheld props or devices) cannot contact any walls, ceiling, furniture, lights, fans, or other obstacles. Do not place the Omni where it obstructs the access of other people to exits or emergency services, or anywhere people may need to move.



**Do not allow animals or small children in the immediate area during game play.**

## ! CAUTION

Prior to use, inspect all parts to confirm that they are in working order and there are no cracks, tears, bulges, bending, or other signs of wear and tear in the product and accessories. Check all connections and moving parts, and confirm that all nuts, bolts, and other stress points of the Omni Base frame are securely fastened.

## ! CAUTION

The surface of the Omni Base is slippery. Always hold onto the Ring with both hands when entering and exiting the Omni.



## ! WARNING

Secure the Omni Harness inside and resting on top of the Ring, before you step into the Omni.

**Never use the Omni without the included Safety Harness!**

## ! WARNING

To avoid risk of injury, follow the instructions related to wear and use of the Omni Shoes and Safety Harness.



**Do not wear or use the Omni footwear outside of the Virtuix Omni.**

**Take off the Omni footwear when exiting the Omni.**

## ! CAUTION

Caution during disassembly of the Omni: the Arms are spring-loaded and will jump up once the safety release square is disengaged. Do not disengage the safety release square on the Tower unless the Arm is in its highest position (marked by the number "8").

## ! WARNING

Use of Virtual Reality ("VR") head mounted displays may present risks of injury. Be sure to read and follow all manufacturer's instructions and heed all warnings related to use of VR devices (sold separately).

## ! WARNING

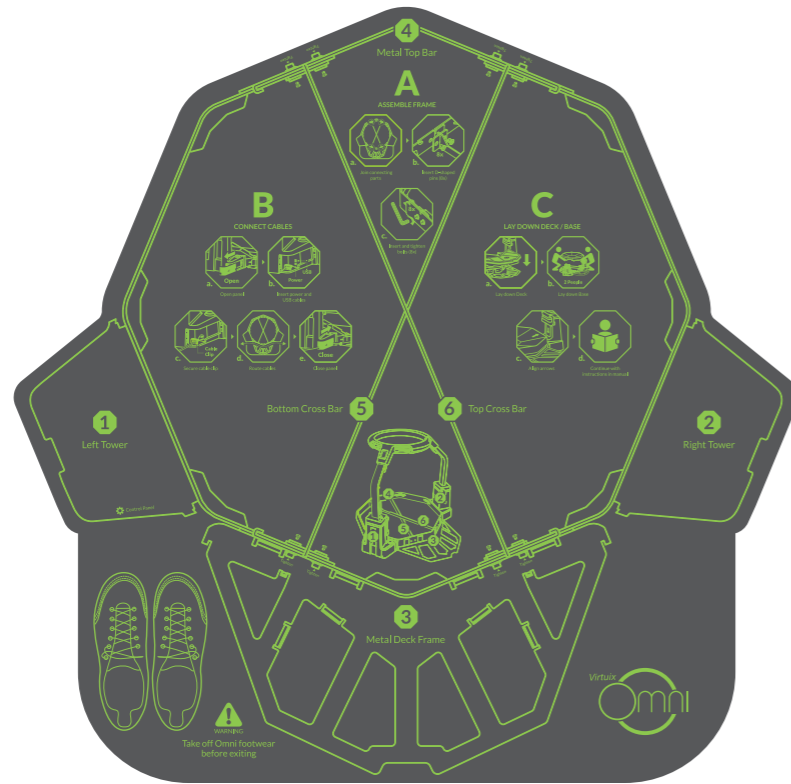
Choking Hazard: Do not leave the Omni Pods or other small parts where they can be reached by children or animals. **Small parts present a choking hazard. The Pods contain Lithium-ion batteries and may be harmful if swallowed.**





# 6. INSTALLATION AND ASSEMBLY

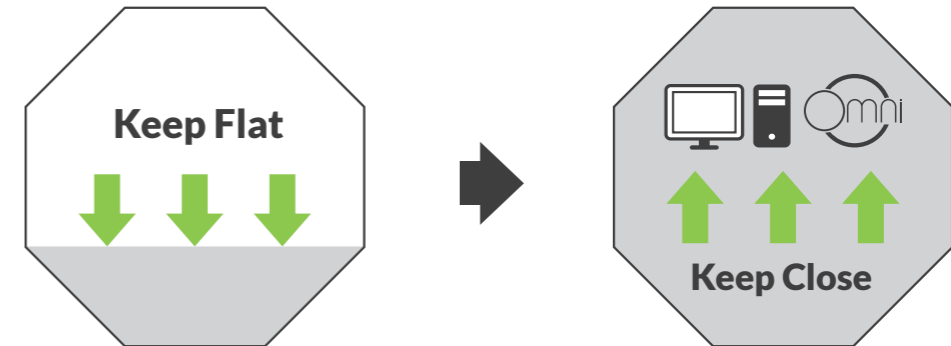
Doc V: "If you don't have the Omni Rack, I recommend placing the Omni close to your PC and monitor, and if necessary next to a table for refreshments, keyboard, mouse, controllers, and anything else you might want to reach out for while you're on the Omni. Never leave the Omni Mat while wearing the Omni Shoes."



Place all parts from both boxes in a cleared area and position them on the floor in front of you. Remove all packing materials from your area and place them back into the boxes. Do not dispose of the packing materials until assembly is completed. Read each step carefully before beginning. If you are missing a part, please contact us at [support@virtuix.com](mailto:support@virtuix.com).



Doc V: "Before you begin the following assembly steps, make sure your two Omni Pods are charging and your software and TRAVR games are downloading (if not downloaded yet). You can follow all assembly steps via our online videos at [www.virtuix.com/instructions](http://www.virtuix.com/instructions) or simply use this QR code:"



**A.** Place the Omni Mat on a stable, flat surface.

**B.** Keep the Omni close to your PC and monitor, if you don't have the Omni Rack.

The Omni Mat provides important instructions for setup and safety, extends the safe area for wearing the Omni Shoes, helps with controlling sound during use, and protects against damage to floors.

## ! CAUTION

Find a level, dry, firm surface to set up the Virtuix Omni. Note the following:

- Do not place the Omni on a surface that is uneven, shifting, moving, or flexible.
- Do not use the Omni outdoors, or where it is exposed to weather.
- Do not place the Omni on a moving platform or vehicle.
- Do not place the Omni in or under water (or any other substance).
- Do not use the Omni in any area where the user may be exposed to smoke, fumes, or other harmful gases.

## ! CAUTION

Be sure that your location:

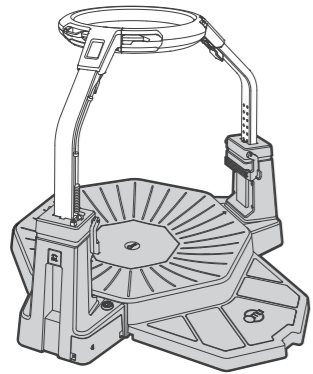
- Does not obstruct access or traffic areas for other people.
  - Is isolated from pets and small children.
  - Has sufficient room to allow full range of motion for all of your limbs, including the extended range of any handheld props or control devices, without hitting any ceilings, walls, windows, doors, furniture, lights or other fixtures.
- Do not allow animals or small children in the immediate area during game play.

## ! CAUTION

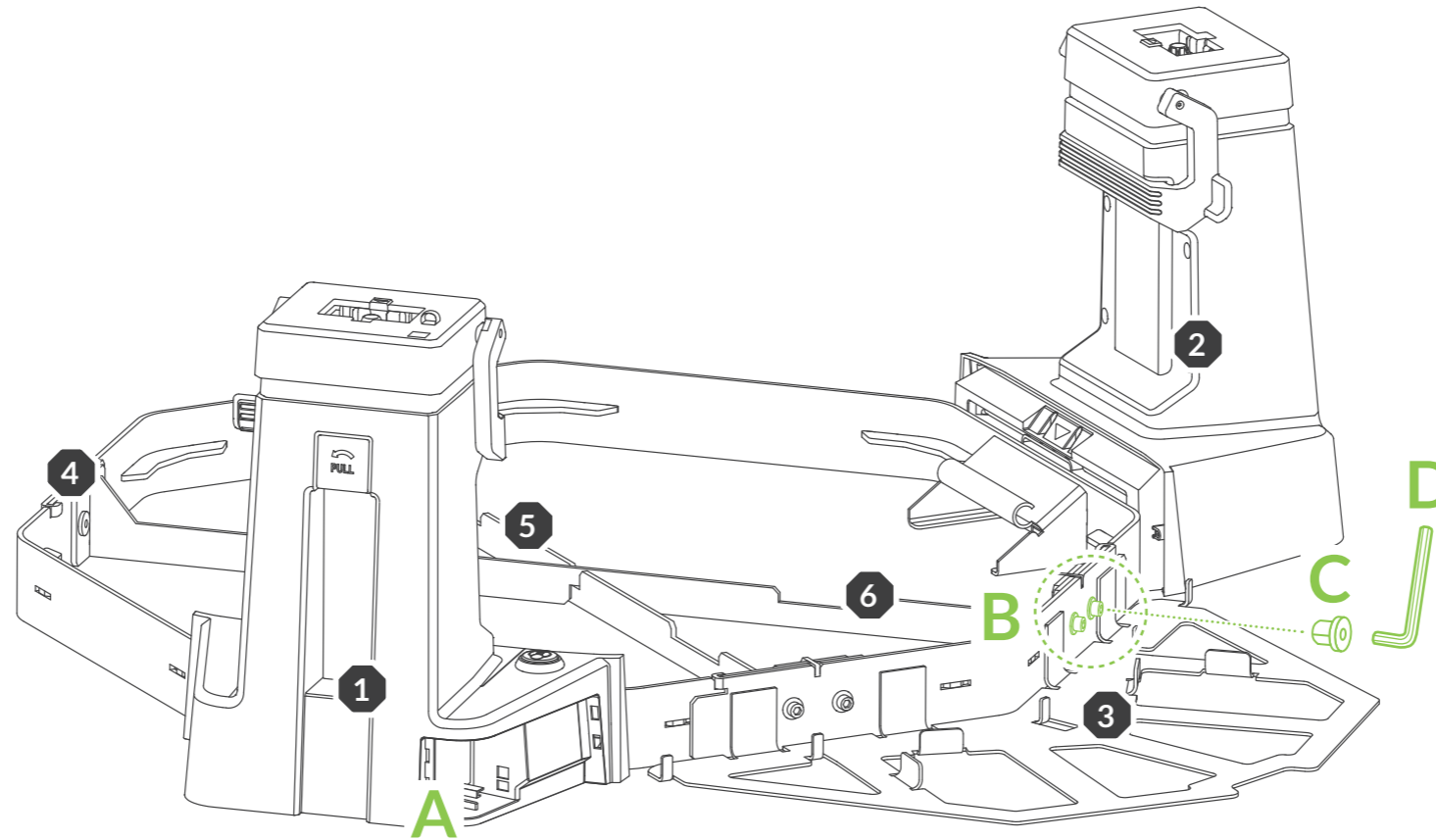
Use of the Virtuix Omni on hardwood floors without the Omni Mat may cause scratching damage to the floor surface.

# 6-1. ASSEMBLE METAL BASE FRAME

Doc V: "Check out my video demonstration of how to assemble the Omni Base at [www.virtuix.com/instructions](http://www.virtuix.com/instructions) or follow this QR code:"



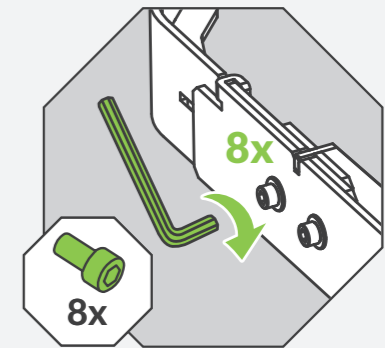
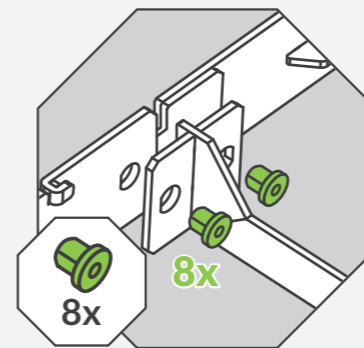
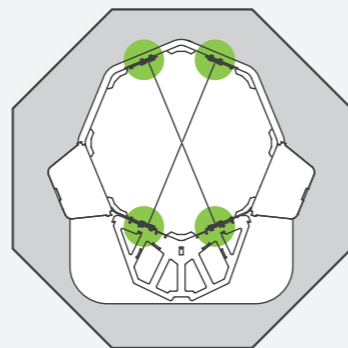
METAL BASE FRAME



## ! CAUTION

Prior to use, inspect all parts to confirm that they are in working order and there are no cracks, tears, bulges, bending, or other signs of wear and tear in the product and accessories. Check all connections and moving parts, and confirm that all nuts, bolts, and other stress points of the Omni Base frame are securely fastened.

- 1 Left Tower
- 2 Right Tower
- 3 Metal Deck Frame
- 4 Metal Top Bar
- 5 Bottom Cross Bar (indicated green)
- 6 Top Cross Bar (indicated blue)



**A.** Place the metal parts on their corresponding imprints on the Omni Mat as indicated by the number sticker attached to each part.

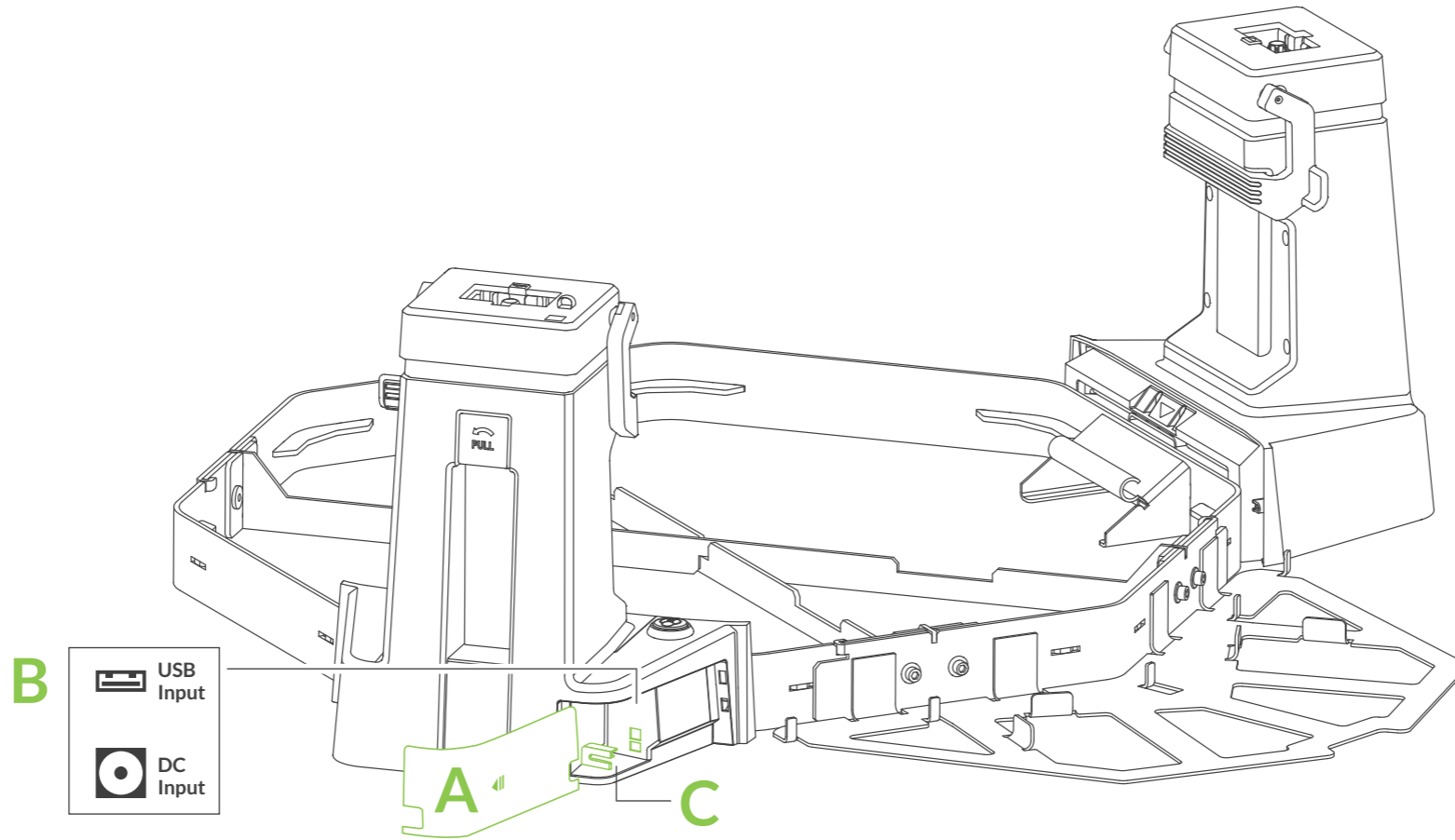
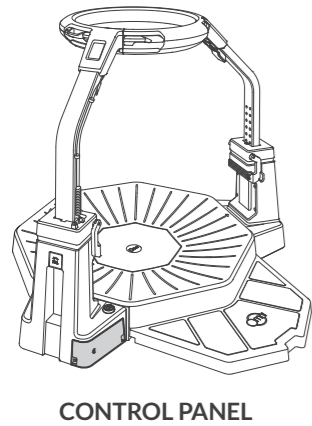
**B.** Use the metal lips on each part to join the connecting parts.

**C.** Align the bolt holes and insert a D-shaped pin in each of the 8 holes from inside the frame toward the outside of the frame.

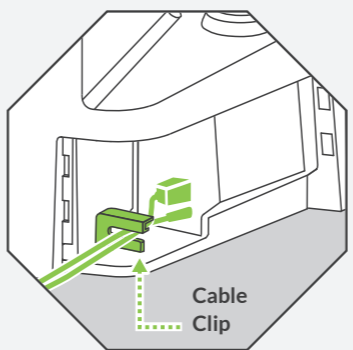
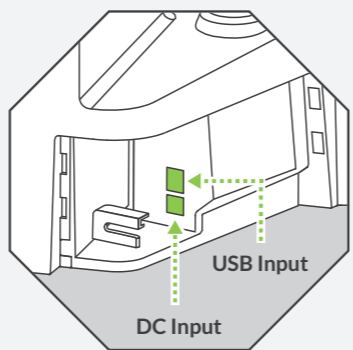
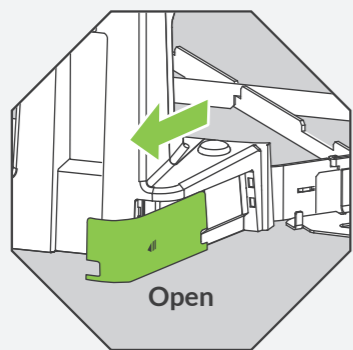
**D.** Screw a bolt with washer through each hole with the provided Allen wrench. Be sure to securely tighten each bolt.

# 6-2. CONNECT THE OMNI CABLES

Doc V: "If your PC or power outlet is located at the opposite side of the Omni control panel, you can route the cables through the provided cable channel underneath the Deck."



**! CAUTION**  
To avoid risk of electric shock, keep the cord, plug, and power supply away from heat sources and water. Do not plug in the power cord if it is damaged or wet. Unplug the power cord when not in use, and before cleaning the product. Check that your included power adaptor is suitable for your country's power supply.



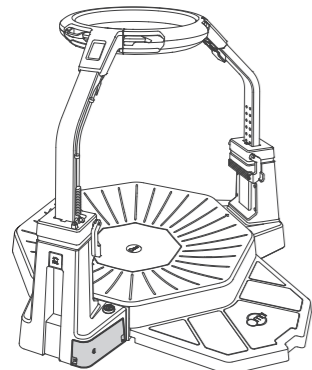
**Continue**  
to the Next Page

**A.** Open the control panel at the bottom of the Left Tower.

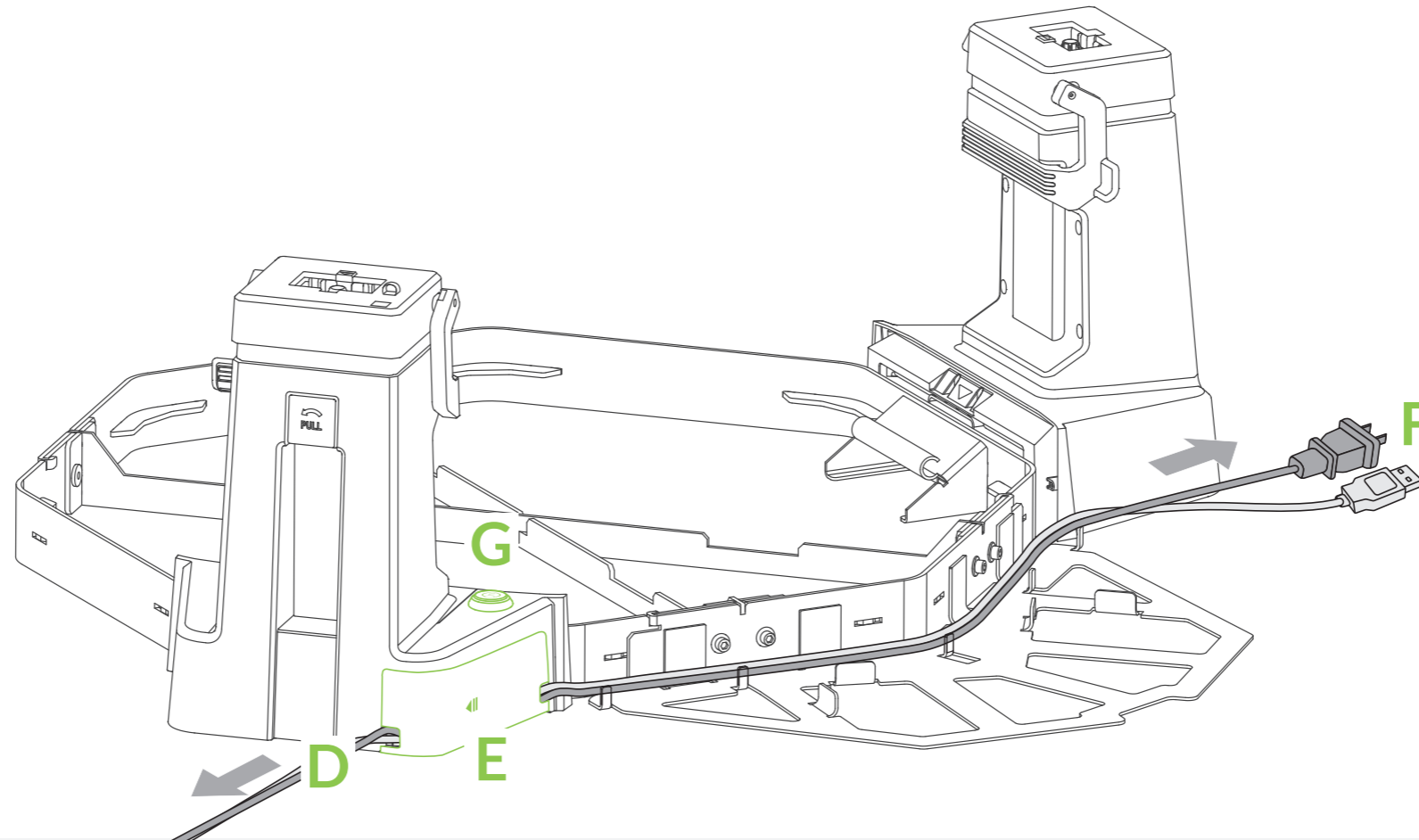
**B.** Insert power and USB cables.

**C.** Secure both cables into the cable clip.

# 6-3. CONNECT THE OMNI CABLES



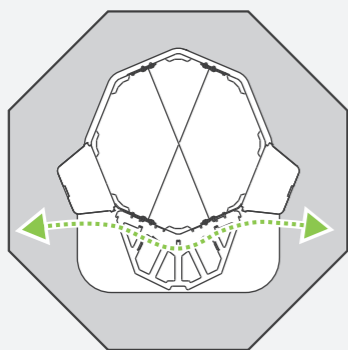
CONTROL PANEL



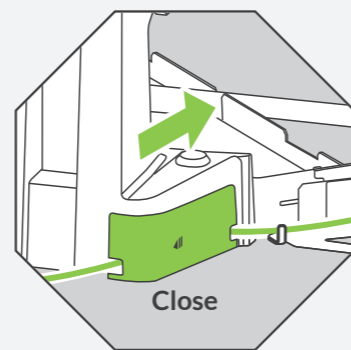
## ! CAUTION

Consult our recommended guidelines for using the Omni with a PC and a tethered head-mounted display (HMD). Cables should be securely rigged to prevent accidents.

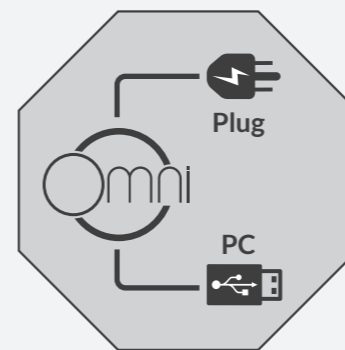
Do not attempt to connect the Omni to any unsupported gaming console or other unsupported device.



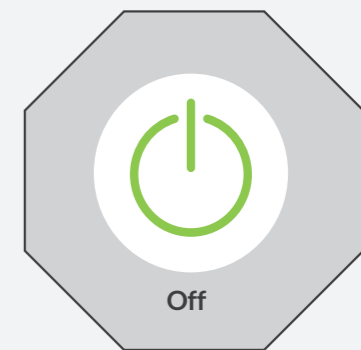
**D.** Route the cables through one of the cable holes on either side of the control panel.



**E.** Close the Omni control panel.



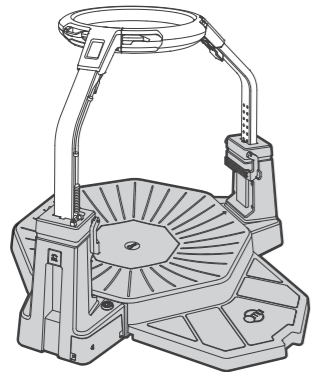
**F.** Route the power cable to a power outlet and the USB cable to a USB port on your PC.



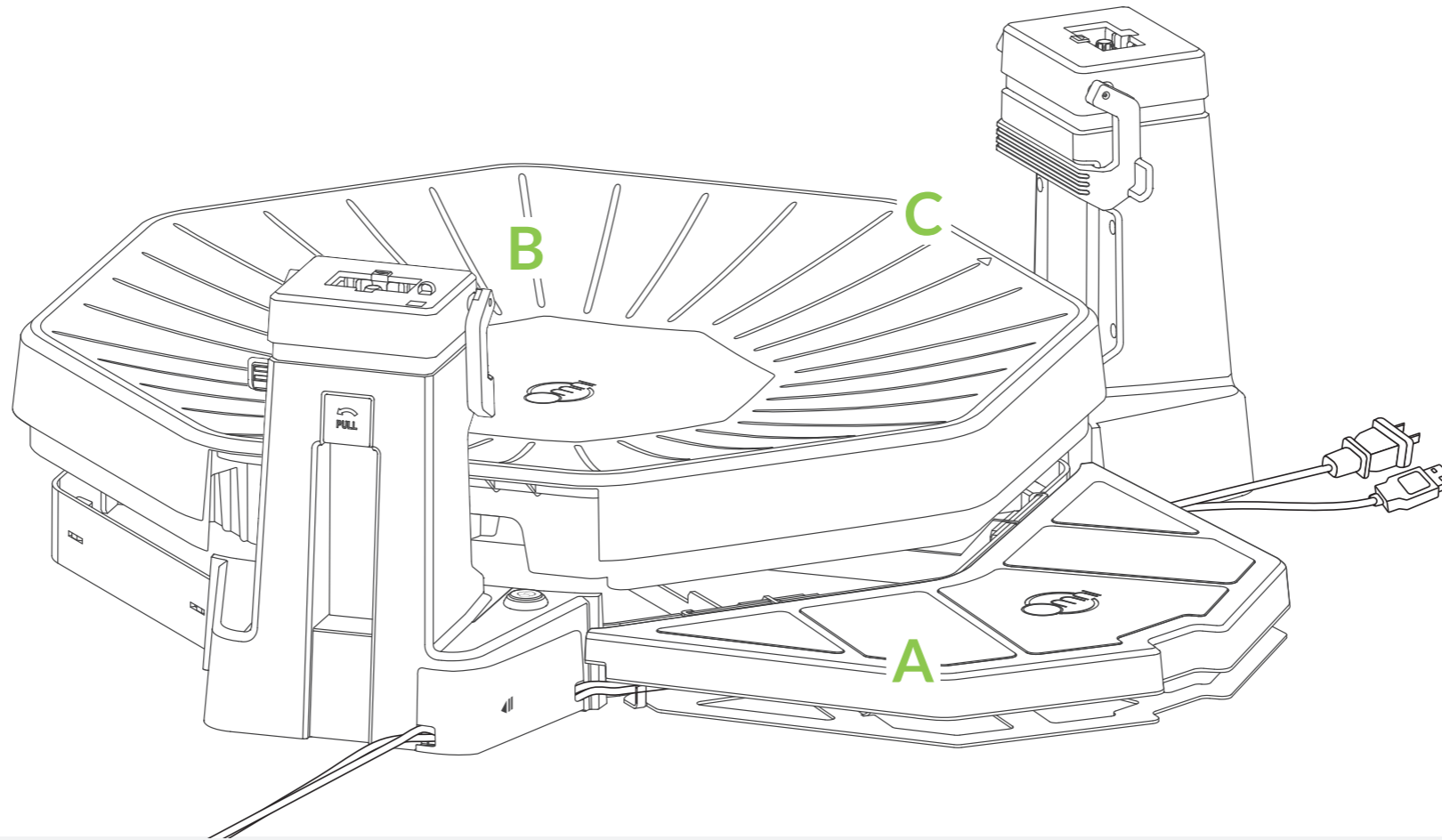
**G.** Leave the Omni powered off for now.

# 7. LAY DOWN DECK AND BASE

Doc V: "If you perform this assembly step by yourself, place the Omni Base on its side in front of the metal frame, then gently lower the Base over the metal frame. See how I do this in my video at [www.virtuix.com/instructions](http://www.virtuix.com/instructions) or follow this QR code:"

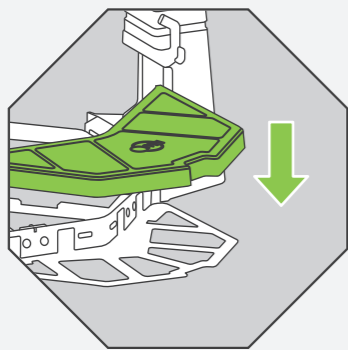


PLASTIC DECK / BASE

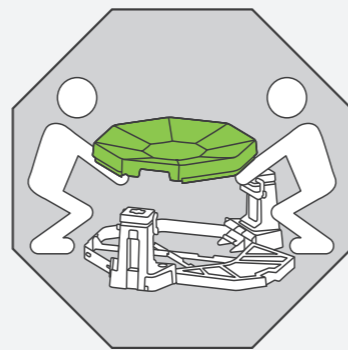


## ! CAUTION

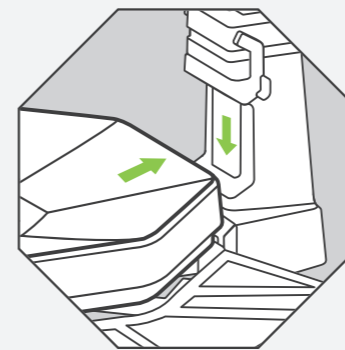
The plastic Omni Base is very heavy. To avoid injury we recommend you always have two people available and use safe lifting techniques when moving or setting up the Omni Base.



**A.** Lay down the plastic Omni Deck on the indicated position.

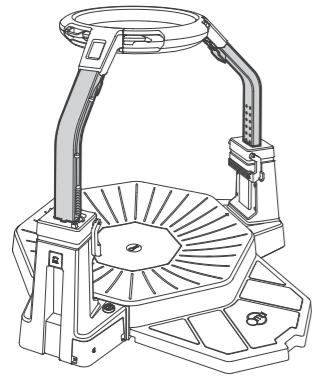


**B.** Lay down the plastic Omni Base on the indicated position. We recommend two people perform this step due to the weight of the Omni Base.

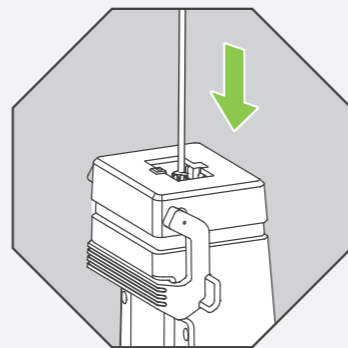
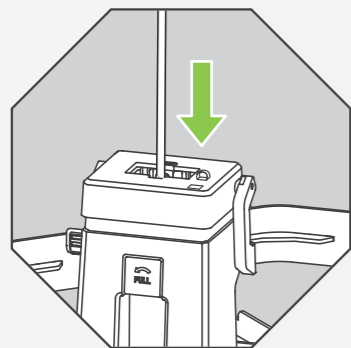
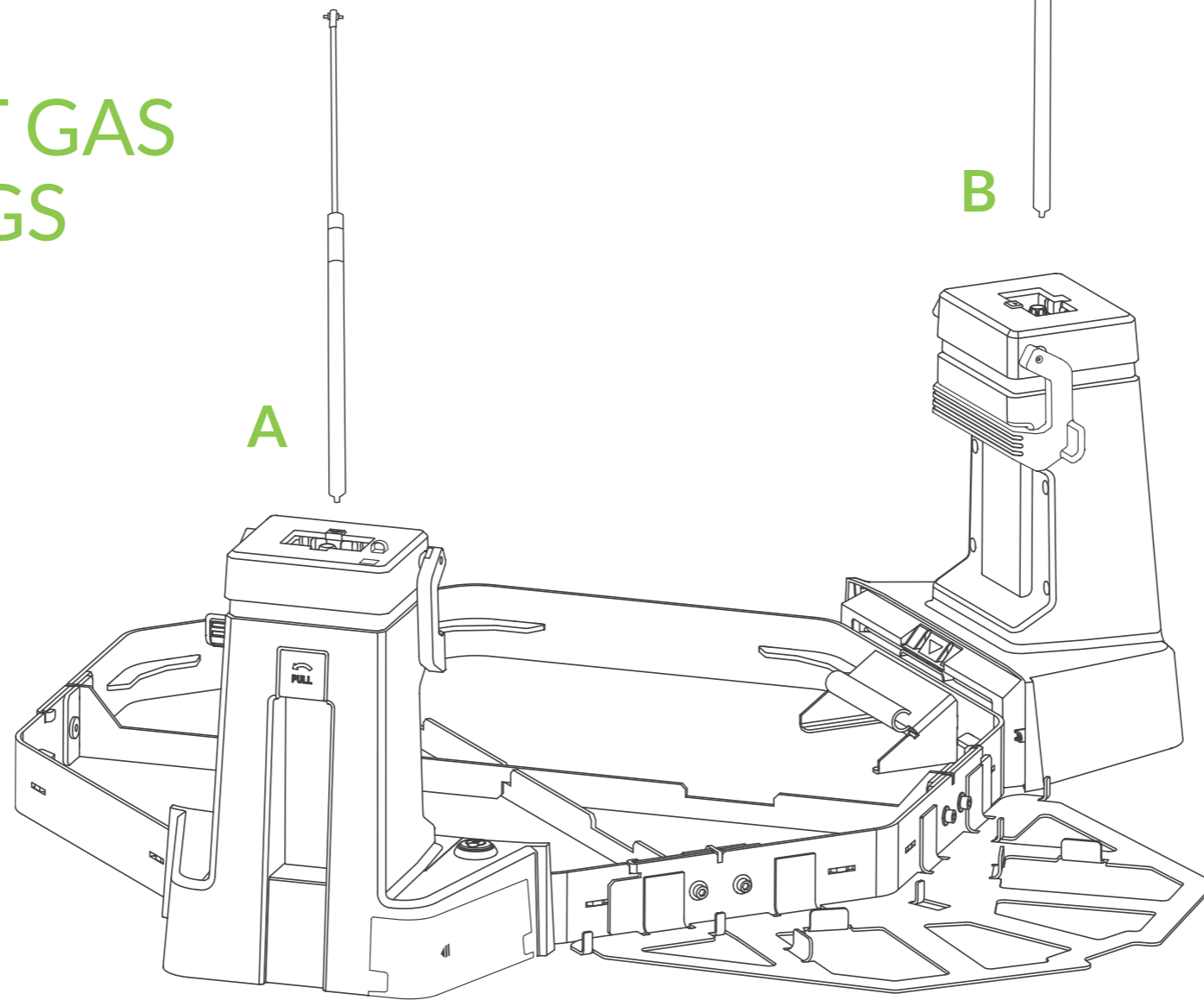


**C.** Align the arrows on the plastic Omni Base with the corresponding arrows on each Tower.

# 8-1. INSERT GAS SPRINGS



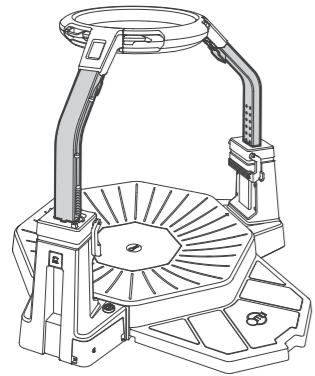
LEFT / RIGHT ARMS



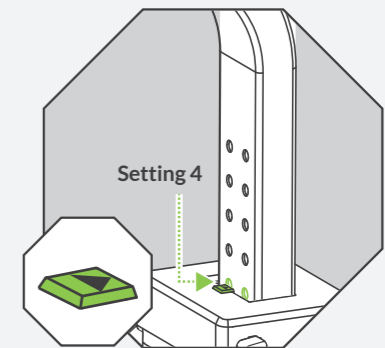
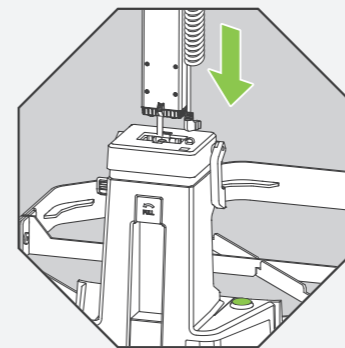
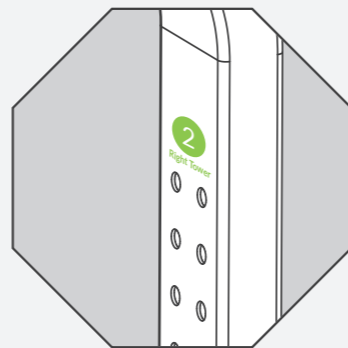
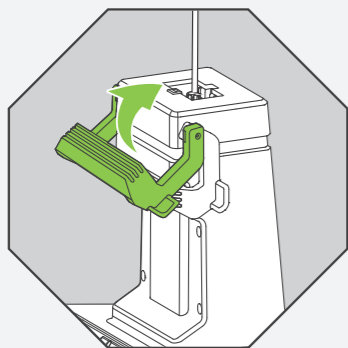
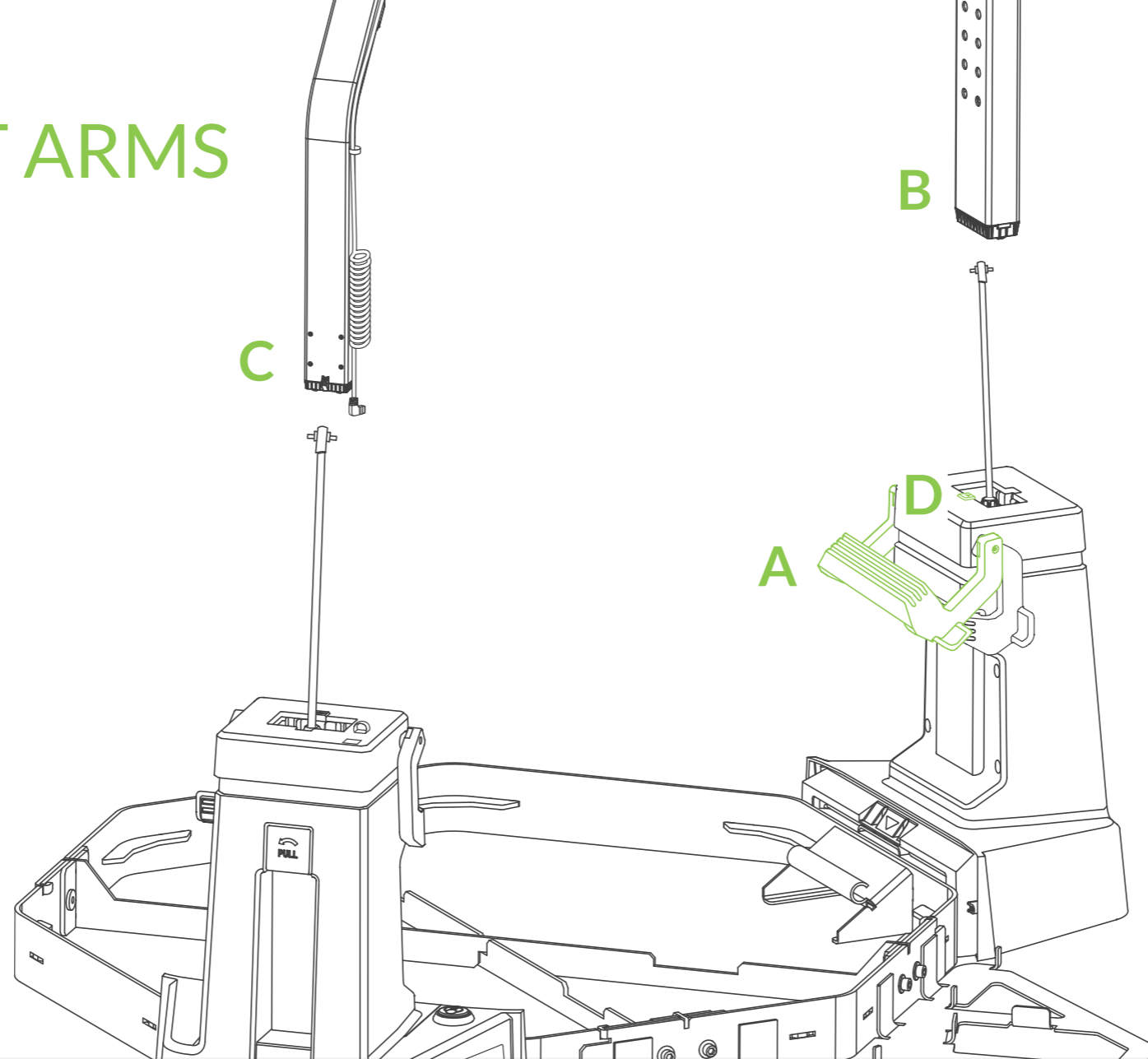
**A.** Place a Gas Spring in the Left Tower. No special tools are needed.

**B.** Place the remaining, second Gas Spring in the Right Tower. Both Gas Springs are identical.

# 8-2. INSERT ARMS



LEFT / RIGHT ARMS



**A.** Open the foot levers to a 90-degree angle on each of the Towers.

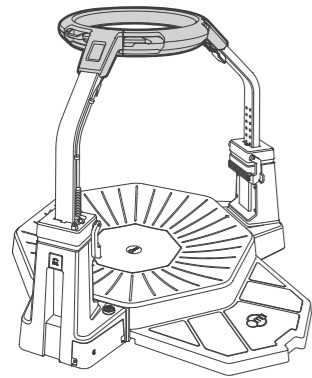
**B.** Insert the Arms into each of the Towers, with the numbered sides facing inwards.

**C.** Please note that the Left Arm is identifiable by its pre-attached Ring Cable. Make sure the Left Arm goes into the Left Tower (the one with the green power button).

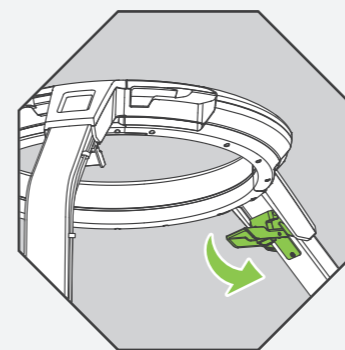
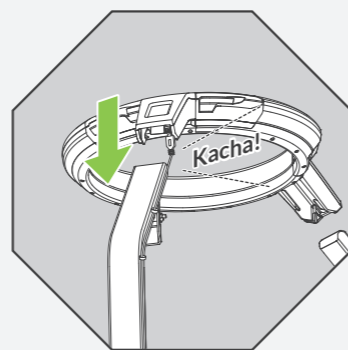
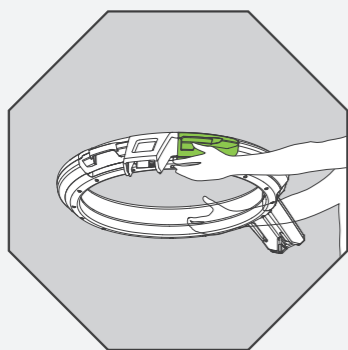
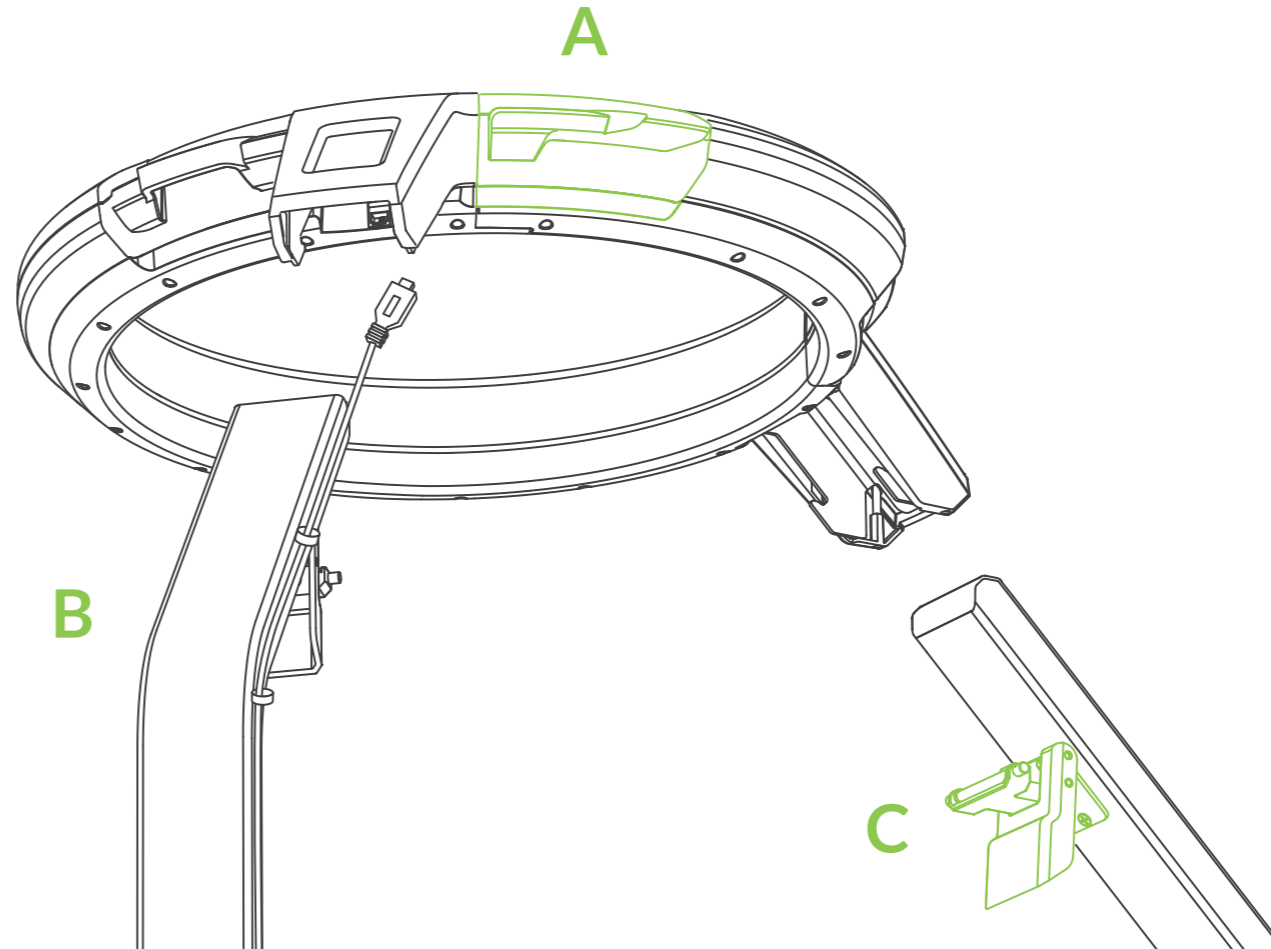
**D.** Push each Arm down until it reaches its medium setting (setting 4) and align the green line to the indicator triangle. While holding the Arm firmly at this level, close the foot lever by hand so it locks into place.

# 9. INSERT RING

Doc V: "You've almost finished assembling the Omni! See these final assembly steps at [www.virtuix.com/instructions](http://www.virtuix.com/instructions) or follow this QR code:"



RING



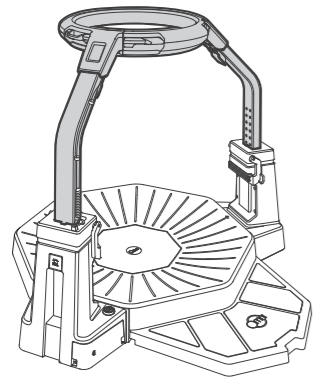
**A.** Ensure the Ring door is closed and locked. Pick it up by the handles, and hold it level with the door facing you.

**B.** Step onto the Omni Deck and lower the Ring sleeves onto the Arms carefully. Once they are both properly located, the Ring should slide down with moderate pressure applied.

**C.** Lock the Ring into place using the levers located on the underside of the top end of each Arm.

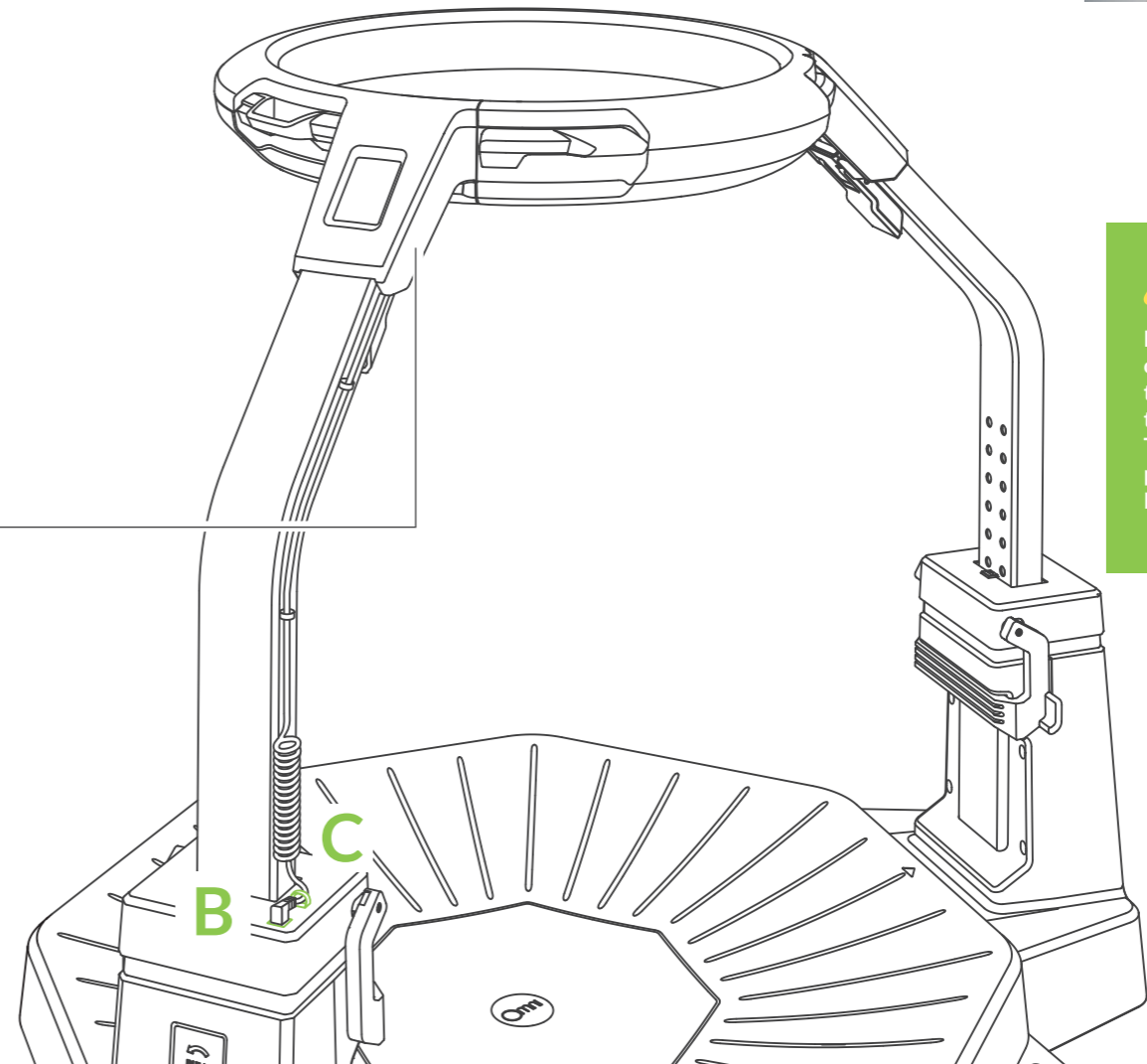
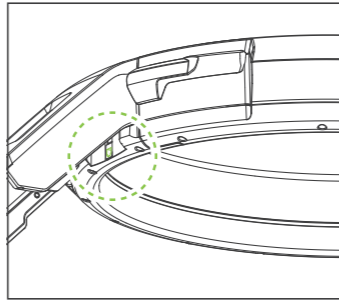


# 10. CONNECT RING CABLE



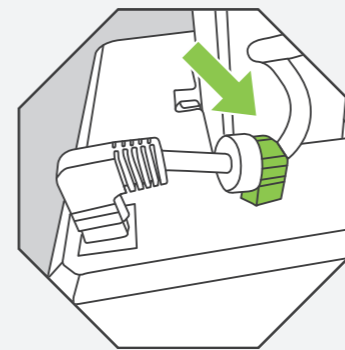
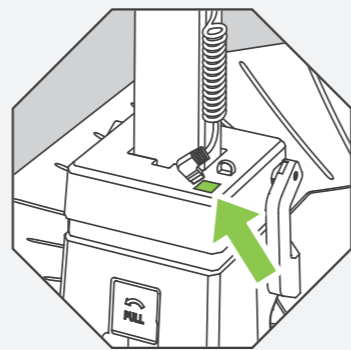
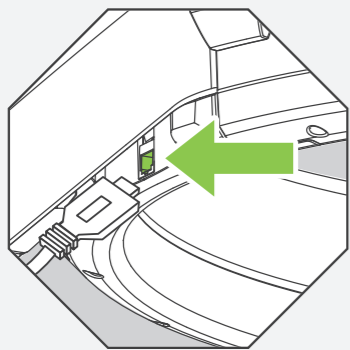
RING CABLE

A



## ! CAUTION

Be sure to clip the bottom of the Ring Cable into the cable clip located on the top face of the Left Tower. This is important to provide strain relief to the Ring Cable during use.



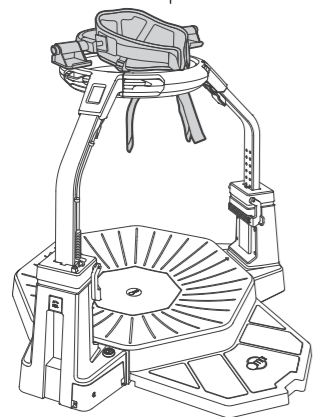
**A.** Insert the top end of the Ring Cable into the socket located underneath the Ring.

**B.** Insert the bottom plug of the Ring Cable into the socket on top of the left Tower.

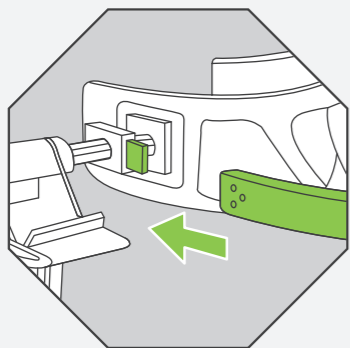
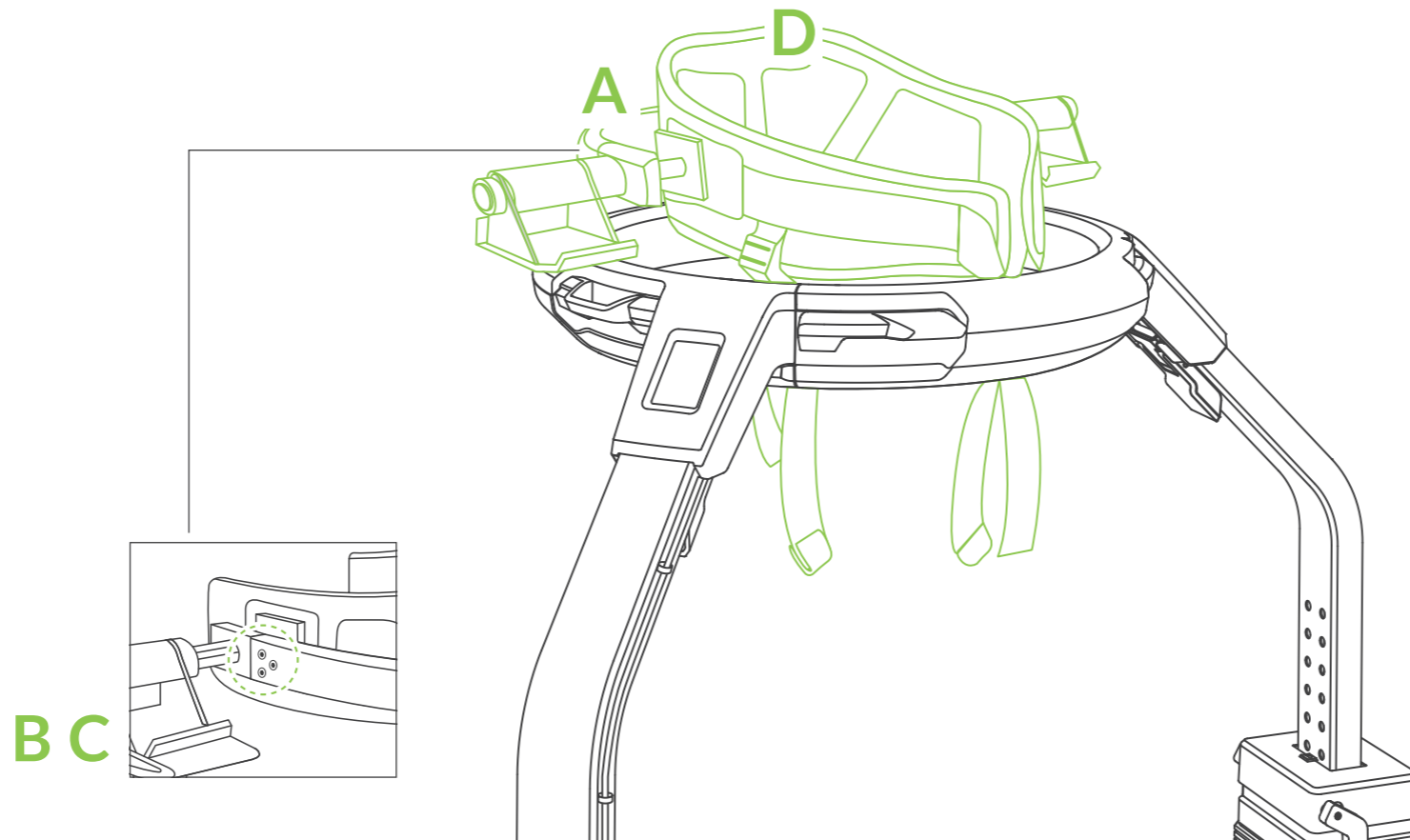
**C.** Tie the bottom of the Ring Cable to the top of the left Tower using the provided cable management clip. Ensure the cable knob is on the left of the clip.

# 11. ASSEMBLE THE HARNESS

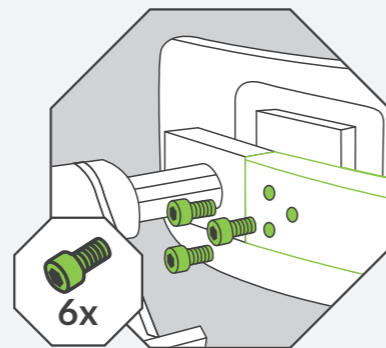
Doc V: "The Support Locks are intended to provide extra stability and help you have a great first experience of the Omni while you get used to the low friction operation of the Base. Once you've hit your Omni stride, I recommend removing them for even greater freedom of movement, and of course - jumping! Note that with the Locks attached to the Supports, you won't be able to jump while using the Omni. Please don't attempt to do so while these are in place!"



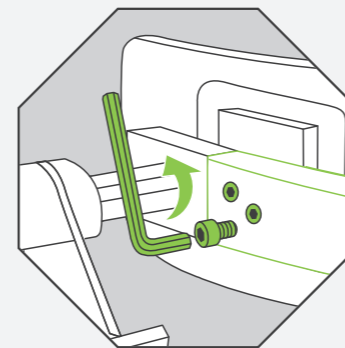
HARNESS



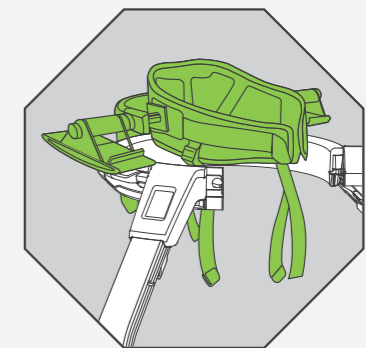
**A.** Slide the Harness Supports into the open ends of the Harness Frame.



**B.** Insert three Harness Screws in the screw holes on each side of the Harness Frame.



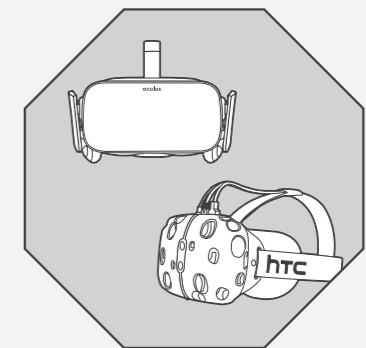
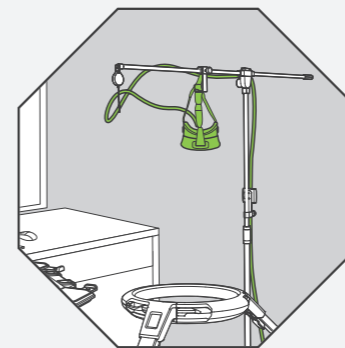
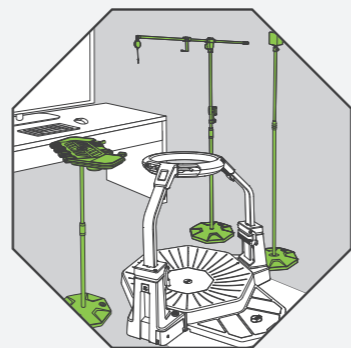
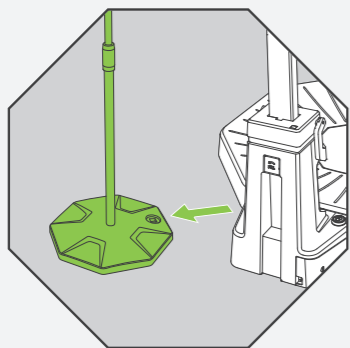
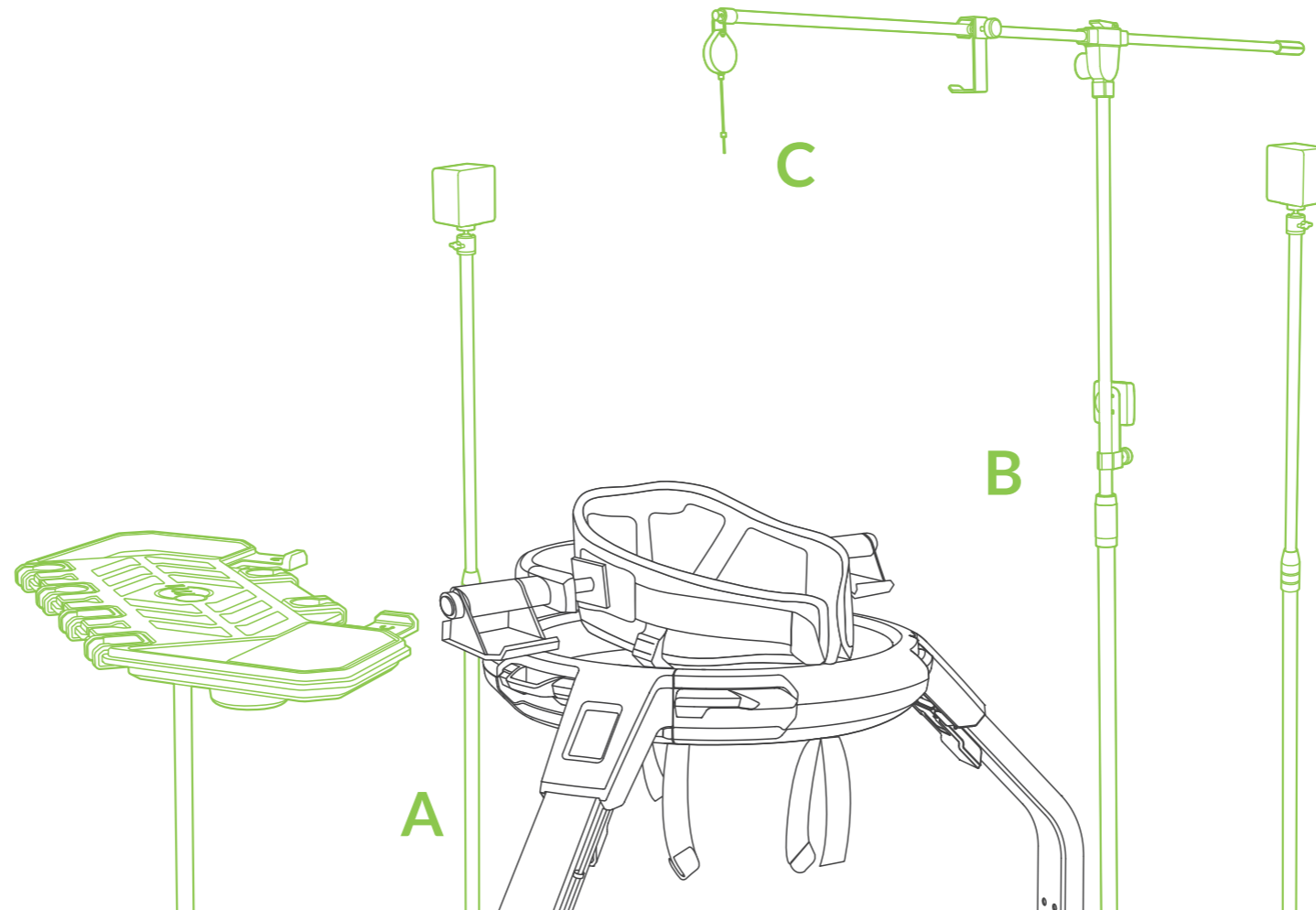
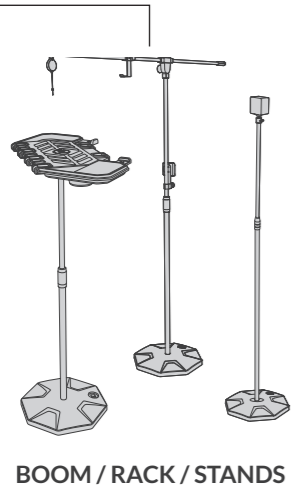
**C.** Tighten the screws securely with the included Allen wrench.



**D.** Once assembled, rest the Harness on the Ring by opening the door and guiding the Supports over the top of the Ring, with the Support Locks fitting below the Ring.

# 12. SET UP ACCESSORIES

Doc V: "You're almost ready to step into the Omni and become TRAVR's newest agent! First make sure you've read the operational instructions carefully - the Omni's Base and Shoes are slippery so we've outlined a safe procedure for you."



**A.** If you purchased the Omni Boom, Rack, or Stands from our store, now is a good time to place these accessories next to your Omni at a safe distance.

**B.** We recommend putting the Boom and Stands to the side of the Omni at a safe distance, and the Rack between your Omni and computer desk/monitor.

**C.** Follow the instructions of your Boom and Stands to mount your HMD, cables, and tracking stations.

**D.** When using an Oculus Rift, be sure to turn the positional camera away from the Omni. When using the HTC Vive, be sure to select "Standing Only" during Lighthouse setup.

# 13-1. INSTRUCTIONS AND FIRST USE

Doc V: "Note that the Pods won't work with your Omni until they have been connected with your PC and assigned to your Omni. See the 'other usage instructions' section for a complete list of the Pod LED indicator meanings."



## ⚠ CAUTION

To avoid risk of injury, follow the instructions related to use of the Omni Shoes and Safety Harness. Do not wear the Omni footwear outside of the Virtuix Omni. Take off the Omni footwear when exiting the Omni. Never use the Omni without the included Safety Harness!

## A. Install Omni Connect

1. If you have not yet done so, download and install Omni Connect and our TRAVR games from [www.virtuix.com/download](http://www.virtuix.com/download).
2. After installation, Omni Connect should be visible as a tray icon and can also be accessed from your Windows menu or desktop shortcut.
3. Run Omni Connect and optionally set up your Omni Online user profile.

## B. Connect and Power the Omni

1. Verify that the Omni power cable is plugged into a wall outlet and the Omni USB-to-PC cable is connected to your PC.
2. Press the Omni's power button on the Left Tower. It should illuminate solid green.
3. If the power button LED is blinking, no PC is found. Please verify that the USB-PC cable is plugged into your PC.

## C. Connect the Pods to your PC

1. If not done so yet, plug the Pods with the provided USB cables into any available USB ports on the PC connected to your Omni.
2. The Pods will automatically be assigned to this PC and Omni.

3. Unplug the Pods and verify the Pods' indicated LEDs :



If the Pods are not yet fully charged, a red light will be illuminated.



If fully charged, the light on the Pods will illuminate green.

## D. Prepare the Shoes and Harness

1. Place the Harness so that it rests on top of the Ring, if it is not already there. Loosen the straps at the back and front if you haven't already done so.

## ⚠ WARNING

Secure the Omni Harness inside and resting on top of the Ring, before you step into the Omni. **Never use the Omni without the included Safety Harness!**

2. If the Pods are fully charged (LEDs are green), insert one Pod into each of the Shoes, locking them into the cradles as shown below.



# 13-2. INSTRUCTIONS AND FIRST USE

Doc V: "Alright this is it; time to buckle-up soldier! A New World is waiting for you!"



3. Place the Shoes on the foot imprints – it is important to put the Shoes on while you are on the Omni Mat. Do not step off the Omni Mat while wearing the Omni Shoes.

## ! WARNING

To avoid risk of injury, follow the instructions related to wear and use of the Omni Shoes:

- **Do not step off the Omni Mat while wearing the Omni Shoes!**
- Do not use the Omni Shoes outside of or without the Virtuix Omni.
- Always use the Omni Shoes when using the Virtuix Omni. Do not attempt to use the Omni barefoot, or with any other footwear. You could be injured, and you may damage the Omni.
- Be sure that the Omni Shoes fit, and are secured snugly to your feet.
- Do not attempt to modify the Omni Shoes in any way.

## E. Have Your Accessories Ready

1. We recommend installing the optional Omni Rack to hold your peripherals, refreshments, phone, or anything else you may need whilst on the Omni. Alternatively, you may wish to place a table close to the Omni for convenience.
2. Place your gun controller or other handheld controller and HMD on the Omni Rack or on a table next to the Omni, so that you can reach those accessories from within the Omni.
3. We recommend using the optional Omni Boom (available on our store at [www.virtuix.com](http://www.virtuix.com)) to suspend the HMD cable so it does not get tangled around you during use.



Doc V: "Okay, we're almost good to go! I recommend you look at our demonstration video showing how to get into the Omni, and how to practice stepping while acclimatizing to the Omni's unique, low friction surface at [www.virtuix.com/instructions](http://www.virtuix.com/instructions) or follow the QR code. If you're confident you're ready to try walking in VR for the first time, proceed to the next step!"



## ! WARNING

Before using the Virtuix Omni products, be sure that the Omni is placed in a safe location where full extension of your limbs (including any handheld props or devices) cannot contact any walls, ceiling, furniture, lights, fans, or other obstacles. Do not place the Omni where it obstructs the access of other people to exits or emergency services, or anywhere people may need to move. **Do not allow animals or small children in the immediate area during game play.**

## F. Prepare the VR Game or Application

1. If not done so yet, download and install our TRAVR games from our website: [www.virtuix.com/download](http://www.virtuix.com/download)
2. Launch TRAVR.

## G. Enter the Omni

## ! WARNING

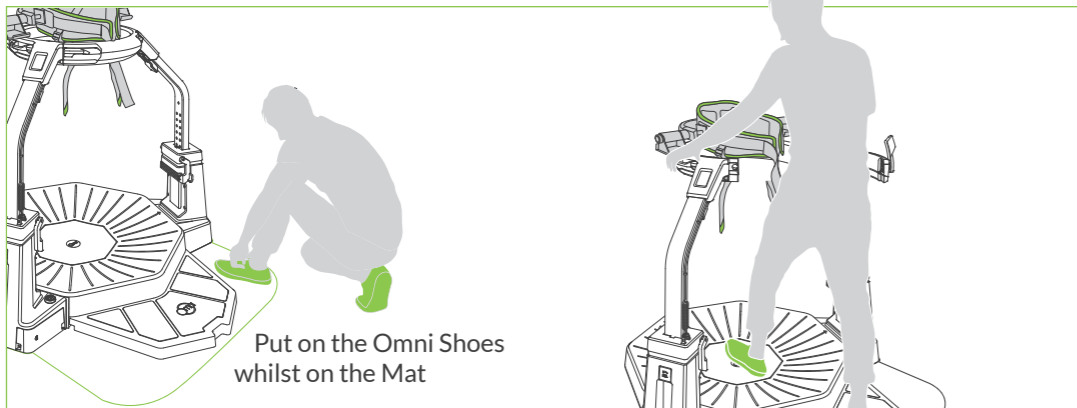
This product is intended for use by healthy adults between 4'8" (142 cm) and 6'5" (195 cm) tall, and not more than 285 lbs (130 kg). **Do not attempt to use the Omni if you do not meet the height/weight requirements, or if you are not healthy enough to engage in moderate to heavy physical exercise.** Consult a physician if you are unsure whether you are healthy enough to use the Virtuix Omni products. Do not use the Omni for longer than one hour at a time. Failure to follow usage instructions can result in injuries.

## ! WARNING

Do not use the Virtuix Omni products if you are pregnant, intoxicated, epileptic, or recovering from major surgery, illness, or a heart attack.

# 13-3. INSTRUCTIONS AND FIRST USE

Doc V: "Make sure the Ring is at the right height for you before strapping into the Harness. Don't forget to close and lock both foot levers and the Ring door!"



1. Put on the Omni Shoes whilst on the Mat. We recommend sitting down to do this. Make sure the Shoes fit snugly and the laces are tightened. Only wear Omni Shoes inside the Omni, and never step off the Omni Mat while wearing the Omni Shoes!
2. Open the Ring door, and with both hands on the Ring step carefully onto the Omni platform, one foot at a time.
3. With at least one hand on the Ring at all times, turn around 180 degrees so you are facing the open door, and then close it. Double check the door latch is closed and locked; keep the door closed and locked at all times during use.

## ⚠ CAUTION

The surface of the Omni Base is slippery. Always hold onto the Ring with both hands when entering and exiting the Omni.

## ⚠ CAUTION

Do not lean on the Ring door when entering and exiting the Omni.

## ⚠ CAUTION

Always securely close the foot levers before use.

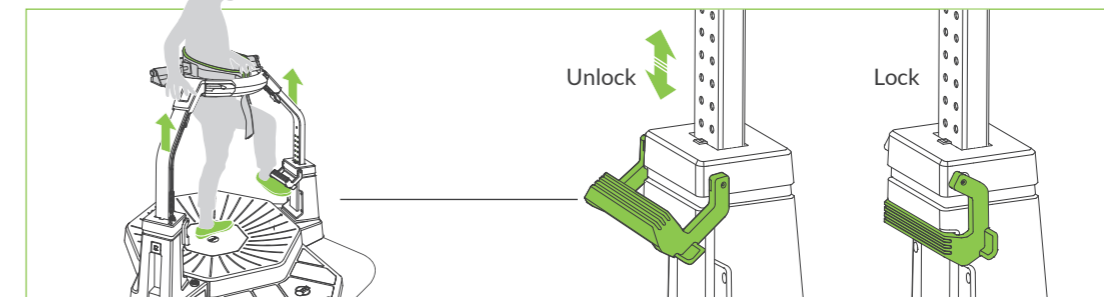
## ⚠ CAUTION

Leave the Harness resting on the Ring before entering and exiting the Omni. Do not attempt to enter and exit the Omni while wearing the Harness.

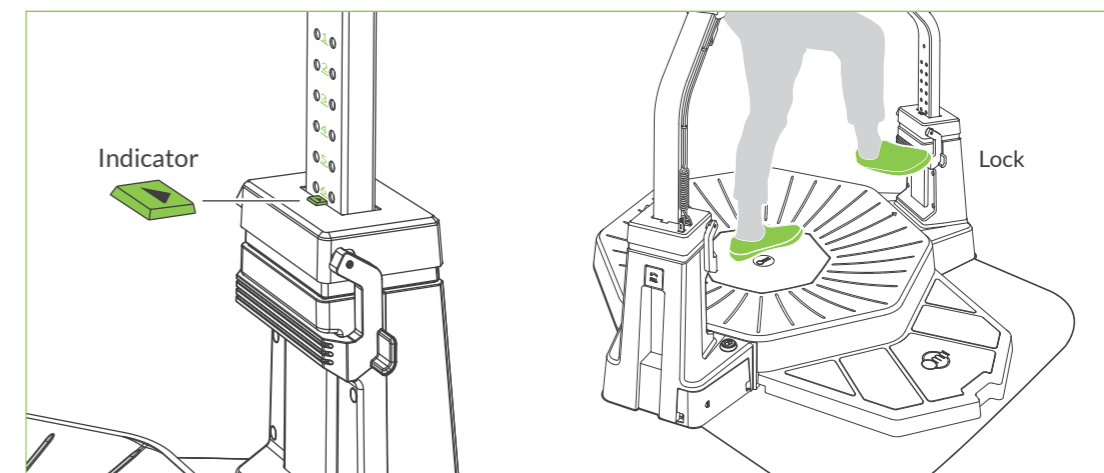
## H. Adjust the Ring Height and Strap into the Harness

Before tightening the Harness, you will most likely need to adjust the height of the Ring.

1. While standing inside the Omni, hold onto the Ring with both hands and open the foot levers with your feet.



2. Raise or lower the Ring until the Harness is at a comfortable level – the belt should be in a position to fold around your abdomen (just above your hips), with the rear of the Harness fitting against your lower back.
3. Ensure the indicator triangle on top of each Tower is aligned with the desired indicator lines on the Arms, and then lock the Arms into place by closing the foot levers.

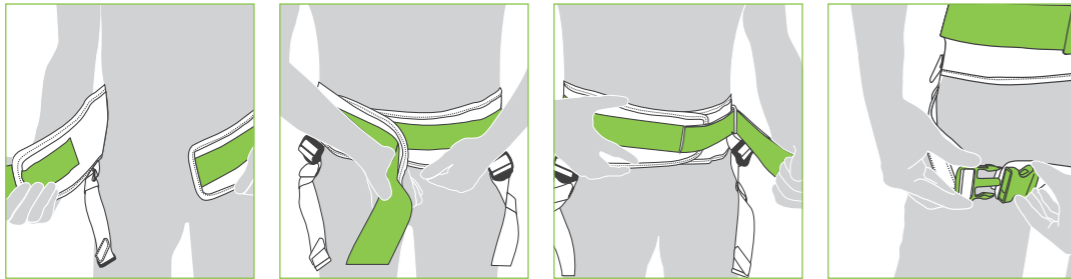


# 13-4. INSTRUCTIONS AND FIRST USE

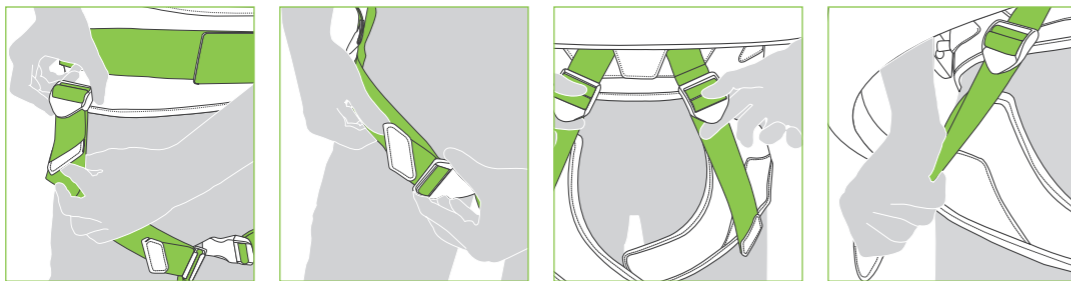
Doc V: "Now you're ready to try walking! Check out our demonstration video on how to walk on the Omni at [www.virtuix.com/instructions](http://www.virtuix.com/instructions). Walking and running on the Omni takes some practice - you won't be running at full speed at your first try! Don't give up if you struggle at first. It takes skill and practice to become a TRAVR agent. Do you have what it takes?"



4. Securely fasten the waist belt of the Harness.



5. Tighten all leg straps by tugging down on the loose webbing, as in the diagram. There are six in total - two thigh straps, two front straps, and two rear straps.



Doc V: "After you've taken a few steps on the Omni, I suggest tugging the rear straps of the Harness down one more time, to get an even better fit."

## I. Go for a Walk

### ! CAUTION

Repetitive motions may lead to a risk of specific types of injuries. If you have pain, numbness, tingling, or other uncomfortable sensations in joints, muscle or skin during or after use of the Virtuix Omni products, take a break and be sure you are fully rested before resuming use. If discomfort continues, consult a physician to be sure you are not at risk.

1. As shown in the demonstration video, take your time to learn how to walk on the Omni without wearing a HMD and holding a gun controller or other input device.
2. Hold onto the Ring with both hands (do not grab the door handle), and take a step forward. Lift your foot off the platform, as if you were taking a step normally, and place it in front of you, making full use of the Base's extent.
3. Lean your weight forward just as you would normally when taking a step. Shift your weight on your forward foot and let it slide down to the center of the Base. You do not need to bend over - indeed this is counter-productive and will cause you to lose balance.
4. Think about staying upright whilst leaning your weight forward. It's okay to look down at your feet but try to retain a good posture.
5. Repeat the above with your other foot, shifting your weight on your forward foot and letting this foot slide to the center of the Omni.
6. Do this for at least 2 minutes and find a steady rhythm before attempting to remove your hands from the Ring.
7. When you feel ready, remove your hands from the Ring and continue walking until you feel comfortable walking on the Omni.

# 13-5. INSTRUCTIONS AND FIRST USE

Doc V: "TRAVR is the name of a secret organization tasked with protecting humanity. Its first and most immediate mission is to thwart the evil machinations of the cult known as Hades. To find out more about the history of the organization and how it came into being, check out the TRAVR chapter on Page 56 and check out my lore videos at [www.virtuix.com/lore](http://www.virtuix.com/lore)."



## ! WARNING

Use of Virtual Reality ("VR") head-mounted displays may present risks of injury. Be sure to read and follow all manufacturer's instructions and heed all warnings related to use of VR devices (sold separately).

## ! WARNING

Some people may have a severe reaction to certain video games or virtual reality environments, including dizziness, seizures, epileptic seizures or blackouts triggered by light flashes or patterns, even if they have no prior history of seizures or blackouts. Consult the usage instructions and warnings provided with your VR device before using the device. If you have had a seizure, loss of awareness, or other symptoms that may be linked to an epileptic disorder, consult a physician before using the VR device.

## ! WARNING

If you experience discomfort while using a VR device:

- Stop using the device immediately if you experience any of the following: seizure; loss of awareness; eye or muscle twitching; involuntary movements; altered, blurred, or double vision; feeling detached from your body or from reality; dizziness; disorientation; disrupted balance; nausea; lightheadedness; discomfort or pain in the eyes or head; drowsiness; fatigue; or any symptoms similar to motion sickness.
- If symptoms persist or recur, see a doctor.

## J. Strafe and Go Backwards

The Omni motion library infers strafing and backwards movement on the Omni from the position of the player's Harness in the Omni Ring.

1. To strafe on the Omni, be sure that you are leaning towards the back of the Ring (i.e., your Harness is positioned in the back half of the Ring), and move either your left or right foot outwards. Do not lean forward while attempting to strafe.
2. To walk backwards on the Omni, be sure that you are leaning towards the back of the ring (i.e., your Harness is positioned in the back half of the Ring). Do not lean forward while attempting to move backwards.

## K. Ready to Play!

When you feel ready to enter the Verse, be sure TRAVR is up and running on your PC, then grab your controller, put on your HMD, and enter a new world!



Doc V: "If you're wearing a virtual reality HMD for the first time, we recommend you check the safety instructions for this device that should have been included by the HMD manufacturer."



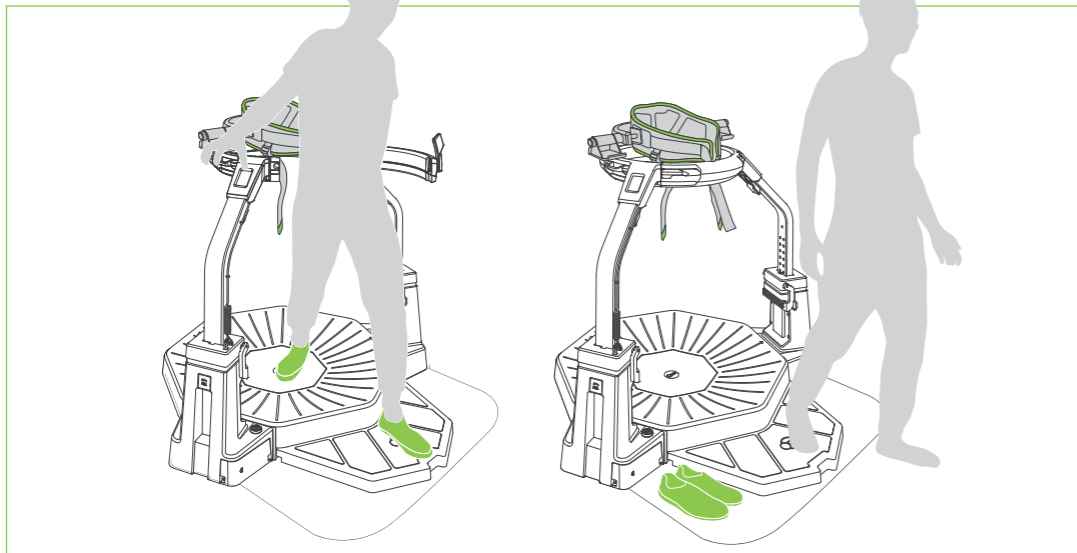
# 14-1. OTHER USAGE INSTRUCTIONS

Doc V: "Be careful not to lean on the Ring door when entering and exiting the Omni, and always hold onto the Ring with both hands while doing so!"



## A. Safely Exiting the Omni

1. Unfasten the Velcro belt of your Harness and unclip the thigh-strap buckles.
2. Open the Ring door, and then hold onto the Ring with both hands. Do not lean on the Ring door.
3. Exit the Omni by stepping onto the Omni Deck, which has a rubberized surface to provide grip. Leave the Harness resting on the Ring. Do not attempt to enter or exit the Omni while wearing the Harness.
4. Either step off the Deck onto the Omni Mat carefully and take a seat to remove the Omni Shoes, or reach down and remove them whilst on the Omni Deck. Do not step off the Mat whilst wearing the Omni Shoes.

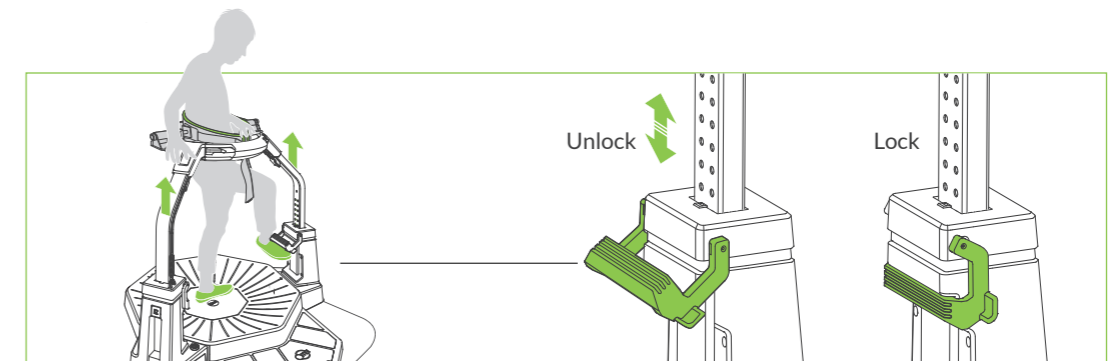


### ! WARNING

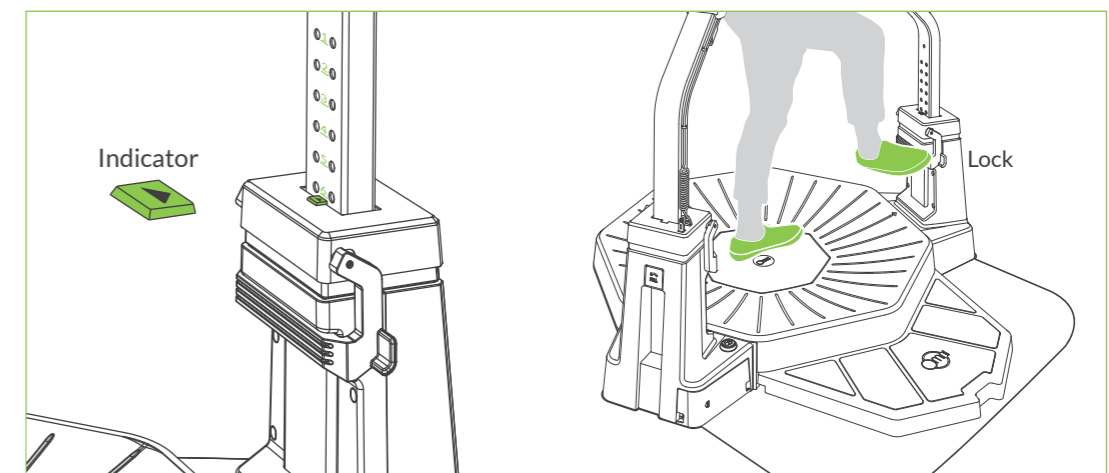
Do not wear the Omni footwear outside of the Virtuix Omni. Take off the Omni footwear when exiting the Omni.

## B. Adjusting the Ring Height

1. While standing inside the Omni, hold onto the Ring with both hands and open the foot levers with your feet.



2. Raise or lower the Ring until the Harness is at a comfortable level – the belt should be in a position to fold around your abdomen (just above your hips), with the rear of the Harness fitting against your lower back.
3. Ensure the indicator triangle on top of each Tower is aligned with the desired indicator lines on the Arms, and then lock the Arms into place by closing the foot levers.



# 14-2. OTHER USAGE INSTRUCTIONS

Doc V: "Note that the Pods won't work with your Omni until they have been connected with your PC and assigned to your Omni. Also, don't forget to update your Pod firmware whenever a message appears telling you that an update has become available!"



## C. Omni Pods

Use the power button to activate your Pods. To turn off your Pods after use, press the power button for 5 seconds. The Omni Pods have an LED to indicate the Pod's state, as listed below:



Off

Off

The Pod is switched off.



Solid Red

Solid Red

The Pod is plugged into a power source and is charging.



Solid Green

Solid Green

The Pod is plugged into a power source and is fully charged.



Flashing Red

Flashing Red  
Low battery.



Flashing Green

Flashing Green  
Pod is functioning normally.



Flashing Slow

Red and Green Flashing, Slow  
Manual calibration is required. Hold down the power button for 1 second.



Flashing Rapid

Red and Green Flashing, Rapid  
Firmware Update in progress, do not disconnect or turn off your PC.



Solid Red, Green

Solid Red, Green  
Firmware Update complete, safe to disconnect.



Rapid Flashing

Red Rapid Flashing, Green Rapid Flashing  
Error. In this event, press and hold the power button for five seconds – the LEDs should turn off. Press the power button again to turn the Pod back on. If this does not solve the issue, please contact [support@virtuix.com](mailto:support@virtuix.com).

### CAUTION

Keep the Pods away from magnetic sources at all times. A magnetic source may damage the sensors inside the Pod. The Harness Supports contain a magnetic source. Do not place the Pods near the Harness.

### WARNING

The Pods emit radio frequency (RF) signals. Do not operate around critical electronic equipment (e.g., in hospitals).

### WARNING

Choking Hazard: Do not leave the Omni Pods or other small parts where they can be reached by children or animals. Small parts present a choking hazard. The Pods contain Lithium-ion batteries and may be harmful if swallowed.

### WARNING

To avoid risk of electric shock, keep the cord, plug, and power supply away from heat sources and water. Do not plug in the power cord if it is damaged or wet. Unplug the power cord when not in use, and before attempting any repair or maintenance. Check that your included power adaptor is suitable for your country's power supply.

## D. Bluetooth Mode

Follow these steps for connecting the Omni to your mobile device over Bluetooth:

1. Connect the Omni to your PC using the included USB cable.
2. Open Omni Connect.
3. Click the Bluetooth button in Omni Connect. Your Omni will now enter Bluetooth mode and become discoverable.
4. Go to your phone's Bluetooth settings and make sure Bluetooth is enabled.
5. The Omni will appear as a gamepad. Select it and click 'pair'. If you are asked for a code, enter '0000' as this is the default pairing code.
6. Once the Omni has paired you may disconnect the USB cable and use the Omni wirelessly.

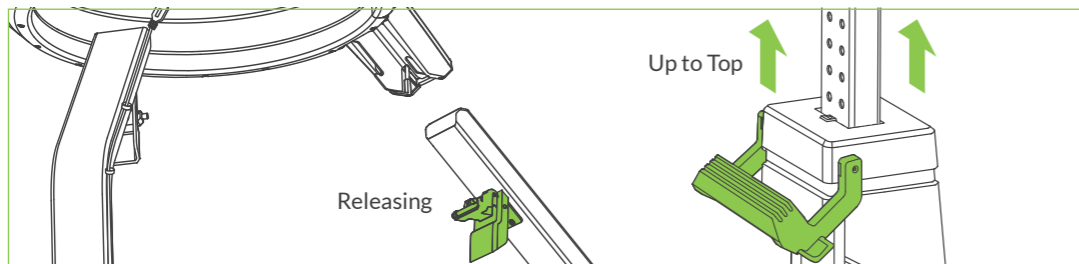
If you wish to use the USB connection again instead of Bluetooth, either disable Bluetooth on your phone, or find the Omni in the Bluetooth device list and un-pair it. The Omni will automatically revert to using the USB connection.

# 15. DISASSEMBLY AND MAINTENANCE

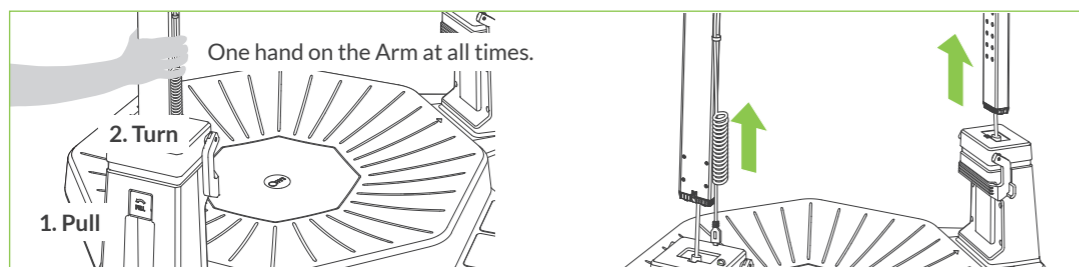
Doc V: "When your Omni Shoes or Harness are worn, you can re-order at [www.virtuix.com/products](http://www.virtuix.com/products). Don't enter the battlefield with worn accessories!"



## A. Removing the Omni Arms



1. Disconnect the Ring Cable from the Omni Ring and left Tower. Detach the Omni Ring by releasing the levers that are underneath the Ring.
2. Open the foot levers and bring both Arms to their highest position (position 8). This is important for safety reasons, as the Arms are spring-loaded and will jump up once the safety release square is disengaged.
3. Disengage the safety release square on each of the Towers while holding one hand on the Arm at all times. Pull the safety release square out slightly from the tower, just enough so that you are able to rotate it counter-clockwise, as indicated on the face. It will only turn a few degrees, so that the corners are now overlapping the four sides of the housing.
4. You can now let go of the safety release square, and cautiously remove each of the Arms and the Gas Springs.

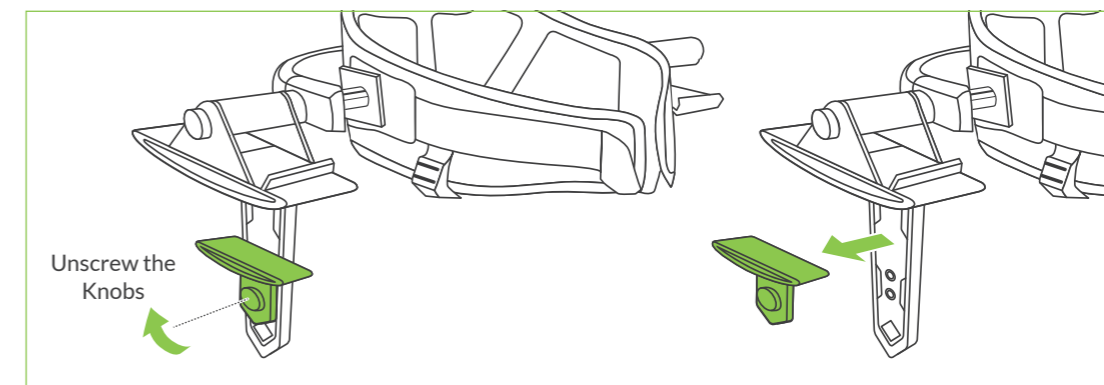


### ! WARNING

Caution during disassembly of the Omni: the Arms are spring-loaded and will jump up once the safety release square is disengaged. Do not remove the safety release square of the Tower unless the Arm is in its highest position (marked by the position number "8").

## B. Removing the Harness Support Locks

To remove the Harness Support Locks, unscrew the knobs. You'll need to remove the Locks to enable jumping on the Omni.



## C. Maintenance of your Omni

The accumulation of dust and grease on the Base and underside of the Omni Shoes can affect the smooth operation of your Omni. Occasionally you should clean the Base and Shoes using a mild soap and water. Wipe the surfaces with a damp cloth and leave to dry.

### ! WARNING

Use only soap and water to clean the Omni and its accessories. Do not use harsh chemicals or abrasive cleaning products, as they may damage the finish. Be sure the Omni is completely dry before attempting to use after cleaning.

### ! WARNING

Never use chemical cleaners or any other reactive agents on the floor surface of the Omni Base. Do not add liquids or other substances to the Omni Base to try to alter the texture or friction coefficient of the Omni Base - doing so may damage the Omni or may cause unsafe usage conditions.

### ! WARNING

If the Omni Pods need cleaning, wipe them off with a damp towel and allow them to dry completely before attempting to recharge. Do not submerge the Pods in liquid, or expose them to heat.

# 16. OMNI CONNECT AND OMNI ONLINE

Omni Connect is the Omni's configuration utility that enables you to connect and configure your Omni and Pods, activate Bluetooth mode, and create or select your Omni Online user profile. Omni Connect will also notify you when new software updates are available.

Omni Online governs the Omni's functionality to upload your best times and scores to our global leaderboards, and display your user stats and universal league tables in-game across platforms. Be sure to create an Omni Online profile to keep track of your stats and play online with or against other Omni players.

To play VR games that do not natively support the Omni (so-called "legacy games" that do not use the Omni SDK), we offer two emulation modes that can be selected in Omni Connect. Please familiarize yourself with the different modes, explained below:

## A. Keyboard Mode

In Keyboard Mode, the Omni will emulate a standard keyboard and send keystrokes to the game (W, A, S, D, and Shift W for running). Use this mode for legacy games that require keyboard input. We recommend you use the third-party software Xpadder to convert an additional handheld controller (gamepad or gun) to additional key strokes to control the game. Please refer to our guides online with instructions on how to play legacy games.

## B. Gamepad Mode

In Gamepad Mode, the Omni will emulate a standard gamepad and send "left thumb stick" data to the game. Note that standard gamepad input (generic HID) is different from XBOX controller input. To play legacy games that require XBOX controller input, we recommend you use the third-party software x360ce to convert the Omni output and any additional handheld gamepad output to one aggregated XBOX controller. Please refer to our guides online with instructions on how to play legacy games.



Doc V: "Your user profile is a handy tool for keeping track of how far you've run and how many calories you've burned. Be sure to monitor your weight and update this value in your user profile - this helps to accurately calculate calories burned."

# 17. CONDITIONING GUIDELINES

## ! WARNING

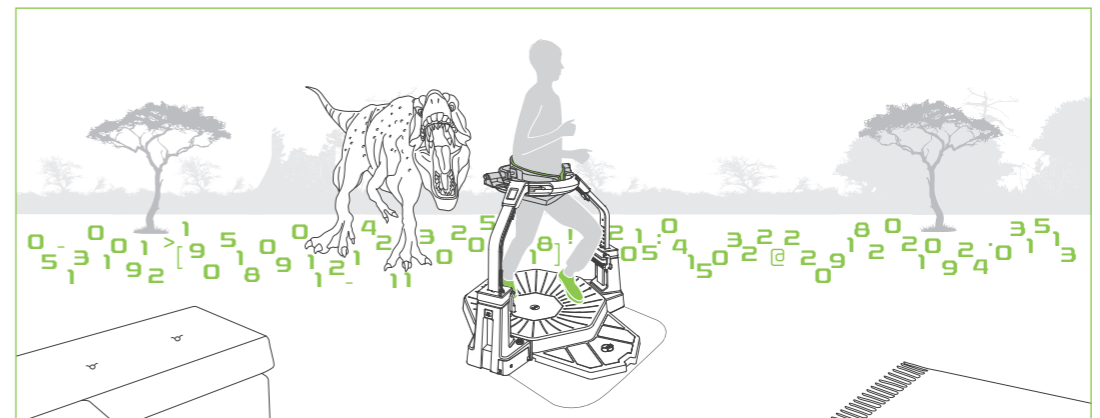
**Do not attempt to use the Omni if you are not healthy enough to engage in moderate to heavy physical exercise.** Consult a physician if you are unsure whether you are healthy enough to use the Virtuix Omni products. Do not use the Omni for longer than one hour at a time. Failure to follow usage instructions can result in injuries.

## ! WARNING

Never use chemical cleaners or any other reactive agents on the floor surface of the Omni Base. Do not add liquids or other substances to the Omni Base to try to alter the texture or friction coefficient of the Omni Base - doing so may damage the Omni or may cause unsafe usage conditions.

In addition to being the ultimate gaming platform, the Omni can also work as a fitness device. It is after all, a treadmill! To that end our software is capable of monitoring your distance run and calories burned over multiple gaming sessions (provided you enter your weight into the required field of your user profile). You may find that you are motivated to run further and faster than ever before as the virtual world presents you with motivating, adrenaline pumping experiences that keep you moving. As such, it is extremely important that you seek advice from your doctor before using the Omni in an exercising way (jogging and running, or walking for extended periods). If you are not in good physical condition we recommend that you initially only use the Omni to enjoy gentle, slow-paced, relaxing experiences.

If you are in good condition and would like to engage in active, high-intensity experiences on the Omni, we recommend you adopt a suitable warm-up and cool-down routine before and after your session. This will improve your performance, and also help reduce the chance of muscle fatigue or strain.



# 18-1. LIMITED WARRANTY

## Limited Warranty Statement

Virtuix, Inc. (“Virtuix”) extends the following exclusive, limited warranty (the “Limited Warranty”) to you, the original purchaser of the Virtuix Product (“You”). The Limited Warranty extends only to You and is not transferable to anyone who subsequently purchases, leases, or otherwise obtains the Product from You, and applies only to Your non-commercial use of the Product. The Limited Warranty is valid only for Products purchased directly from Virtuix or from authorized resellers in authorized distribution territories as defined by Virtuix and listed on the Virtuix website at the time of purchase (the “Distribution Market”). **Unauthorized use or resale of the Product shall render this Limited Warranty null and void.**

Virtuix warrants that its products will be free from defects in materials and workmanship for the Limited Warranty period. During the Limited Warranty Period Virtuix will, at its option: (1) provide replacement parts necessary to repair the product; (2) repair the Product or replace it with a comparable product; or, at Virtuix’s option, (3) refund to You an amount equal to the remaining useful life of the Product (calculated as follows: the amount You paid for the Product, divided by twelve, multiplied by the number of months remaining on the one-year limited warranty period). Replacement parts and replacement Products will be provided only within an authorized Distribution Market; will be new or serviceably used, comparable in function and performance to the original part or Product; and will be warranted for the remainder of the original warranty period or, if longer, 90 days after they are shipped to You.

## Terms and Conditions (Exclusions and Limitations)

### 1. Term

The Warranty Period for Virtuix Products is twelve (12) months from the date of original delivery to You, so long as the Product remains in the possession of the original purchaser. Note that certain product components (for example, shoes and belts) are designed to be worn and the useful life of such components will vary depending on the amount of use. Normal wear and tear is specifically not covered by the Limited Warranty, and wearable components may need to be replaced more frequently than once per year, depending on the amount of use. Virtuix has no responsibility for cost of replacement of such wearable components.

### 2. Limitations and Exclusions (What is Not Covered)

This Limited Warranty does not cover, and Virtuix is not responsible for:

- a. Delivery, assembly, installation, set-up, or adjustment for original or replacement Products or labor or other costs associated with removal or replacement of the Product.
- b. Damage caused by misuse, abuse, accident, fire, flood; wind, lightning, freezing, or other natural weather or exposure conditions of any kind; neglect, theft, vandalism, misplacement, power surges, fluctuations, reductions, or failures; connections to improper voltage or incorrect electrical line voltage; viruses, malware, reckless, willful, or intentional conduct; or any modification or use of the Product that is not authorized or recommended by Virtuix.
- c. Damage caused by service or attempted service not authorized by Virtuix.
- d. Damage caused by use that is not in accordance with Product instructions or User Manual, including damages caused by failure to perform cleaning or preventive maintenance.
- e. Products used for any commercial purpose, or for any use other than the non-commercial personal use of the original purchaser.
- f. Damages caused by the combination of Products with other non-Virtuix products, accessories, parts or components or use of the products, equipment, utilities, services, or parts (including applications, installations, repairs, wiring, or connectors) not supplied or authorized by Virtuix which damage the Product or result in service problems.
- g. Damage or failure due to normal wear and tear, improper assembly or maintenance, or installation of parts or accessories not originally intended for or compatible with the Virtuix Product.
- h. Uninterrupted or error-free operation of the Product.
- i. Software, including firmware, installed on or added to the Product (for terms of service related to Software, refer to the applicable End User License Agreement).
- j. Cosmetic damage, exterior finish, discoloration of paint or plastic, or other issues that do not affect Product functionality.
- k. Modifications or adaptations made to enable a Product to operate in a country other than the country for which it was designed, manufactured, approved or authorized for sale; or repair of Products damaged by these modifications.

# 18-2. LIMITED WARRANTY

## 3. Instructions for Obtaining Limited Warranty Service

To obtain warranty service, you must deliver the Product, freight prepaid, in either its original packaging or packaging affording an equal degree of protection to the Virtuix authorized service facility specified. A dated purchase receipt is required. For specific instructions on how to obtain warranty service for your Product:

Contact Virtuix Service and Support at:

[support@virtuix.com](mailto:support@virtuix.com)

You may be asked to assist Virtuix in diagnosing issues with your Product prior to returning the Product to Virtuix, and You agree to provide such assistance. Virtuix may require that you ship the Product or certain parts back to Virtuix. You are responsible for the costs associated with shipping products or parts back to Virtuix (or to a service center in your area specified by Virtuix). Virtuix will refund the shipping costs if the warranty claim is determined to be valid. You are responsible for assuring that all parts and components are returned to Virtuix, and that no personal or third party items or components are sent to Virtuix. Virtuix will not return and is not responsible for loss or damage to personal or third party items erroneously sent to Virtuix. YOU ARE RESPONSIBLE FOR ANY DAMAGE TO THE PRODUCT DURING SHIPMENT TO VIRTUIX OR THE AUTHORIZED VIRTUIX SERVICE CENTER.

## 4. Implied Warranties

EXCEPT TO THE EXTENT PROHIBITED BY APPLICABLE LAW, ANY IMPLIED WARRANTY OF MERCHANTABILITY, FITNESS FOR A PARTICULAR PURPOSE AND NON-INFRINGEMENT IS LIMITED IN DURATION TO THE DURATION OF THIS WARRANTY.

## 5. Limitation of Liability

VIRTUIX SHALL NOT BE LIABLE FOR ANY INCIDENTAL OR CONSEQUENTIAL DAMAGES FOR BREACH OF ANY EXPRESS OR IMPLIED WARRANTY. VIRTUIX'S MAXIMUM LIABILITY IS LIMITED TO THE PURCHASE PRICE YOU PAID FOR THE PRODUCT. VIRTUIX IS NOT LIABLE TO YOU FOR EVENTS BEYOND VIRTUIX'S CONTROL, ACTS OF GOD, VIRUSES, PROPERTY DAMAGE, LOSS OF USE, INTERRUPTION OF BUSINESS, LOST PROFITS, LOST DATA, OR OTHER CONSEQUENTIAL, PUNITIVE, OR SPECIAL DAMAGES, HOWSOEVER CAUSED, WHETHER FOR BREACH OF WARRANTY, CONTRACT, TORT (INCLUDING NEGLIGENCE), STRICT LIABILITY OR OTHERWISE.

Some states or jurisdictions do not allow the exclusion or limitation of incidental or consequential damages, or allow limitations on how long an implied warranty lasts, so the above limitations may not apply to you. This Limited Warranty gives you specific legal rights and you may have other rights which vary from state to state, or by jurisdiction. To the extent limited or restricted by state or local law, these limitations shall apply to the full extent allowable under such law.

## 6. Any Attempt to Repair the Product May Create A Risk of Injury

VIRTUIX IS NOT RESPONSIBLE OR LIABLE FOR ANY DAMAGE, LOSS OR LIABILITY ARISING FROM ANY PERSONAL INJURY INCURRED DURING THE COURSE OF, OR AS A RESULT OF, ANY REPAIR OR ATTEMPTED REPAIR BY YOU OR ANYONE OTHER THAN AN AUTHORIZED SERVICE TECHNICIAN. All repairs attempted by You on the Product are undertaken AT YOUR OWN RISK and Virtuix shall have no liability for any injury to person or property arising from such unauthorized repairs.

## 7. International Support

Support, including repair and replacement, is provided only in authorized Distribution Markets. You are responsible for and must comply with all applicable export laws and regulations if You export the Product from the original place of purchase. Customers outside the United States are responsible for paying all freight and brokerage charges incurred in shipping (including importing/exporting costs) any defective parts back to Virtuix, provided that Virtuix will refund the costs incurred if a valid warranty claim is made. International Customers are responsible for all customs duties, VAT, GST and other associated taxes and charges.

## 8. General

This Limited Warranty Statement provides the entire obligation of Virtuix with regard to repair, replacement or support of the Product. The Limited Warranty Statement shall not be modified, altered, amended, or supplemented without the written agreement of Virtuix which specifically states that such writing is intended to modify, alter, amend or supplement this Limited Warranty Statement. Any additional or altered terms shall be null and void, unless expressly agreed to in writing by Virtuix. If any term of this Limited Warranty Statement is determined to be illegal or unenforceable, the legality or enforceability of the remaining provisions shall not be affected or impaired. This Limited Warranty Statement and any sales or obligations created hereunder shall be governed by the laws of the State of Texas, without regard to the impact of any conflict of laws rules thereunder.

This Limited Warranty gives you specific legal rights. You may also have other rights which vary from state to state, jurisdiction to jurisdiction, or province to province.

# 19-1. TRAVR

Doc V: "My name is Doctor Tristan Verstraeten, also known as 'Doc V'. I am the founder of the TRAVR organization. You have been invited to join our battle against Hades - an evil secret-society bent on enslaving mankind. This is my story."



## 1. Collision

I became aware of Hades at great personal expense during my tenure as a science professor at Cambridge University. My research project at that time sought to harness the power of quantum mechanics to send vast amounts of data from one point in space-time to another. Few people knew exactly what I was working on, as the government had classified it as Top Secret. This was understandable - the potential to transport a human being instantly to another part of the galaxy, or even another dimension entirely could shift the balance of power in favor of whoever had this technology.

I had constructed a prototype quantum transportation machine unlike anything that had come before, and was just waiting on some important data from the Large Hadron Collider (LHC) to complete my calculations. The LHC is a high-energy particle accelerator developed by CERN (incidentally, the same organization from which the World Wide Web emerged). Indeed, I based parts of the machine's design on elements of the LHC.

With the new data from CERN in my hands, I was now able to test the machine. The results were astonishing - I saw that this wouldn't simply revolutionize particle physics, it could change the world as we knew it. The Nobel Prize flashed before my eyes and before I could stop myself I had circulated my findings amongst a small jury of peers. This was my greatest misjudgment. Somehow, the paper got into the wrong hands, and days later my lab was broken into and raided. I had the misfortune to be there when it happened, and the subsequent confrontation with the intruders cost me my life.

## 2. Rebirth

My body was found in the Cavendish Laboratory on the 17th of August, 2012 next to an unusual symbol that had been left at the scene. Also, my blood was smeared on a manila folder, obscuring certain letters in my name, so that it formed the word TRAVR. Later, my body was stolen from the morgue. Despite a police investigation and reward, my killers were never apprehended. Fearing the disastrous consequences of my research falling into enemy hands, the government subsequently covered up almost all traces of the crime.

I was reanimated, and found myself a captive of a group I later came to know as Hades. They had brought me back to life somehow in order to complete my research, which they were unable to replicate on their own. Despite my best efforts, their control over me began to subvert my will, and I knew it was only a matter of time before they forced me to reveal the secrets of the machine.

I remembered my dying act, the word I hastily marked in blood - TRAVR. It was an idea I'd had while building the machine; the idea of an elite force of warriors who could use the device to transport themselves to any point in space or time and right the wrongs of history, correcting the missteps we had taken as a species and undoing millennia of suffering. We could become protectors not only of The Earth, but of the greater collective, those worlds far removed from ours - in time we could become Guardians of the Omniverse.

A word was not enough to preserve this idea, but perhaps a message ...

## 3. Out of Time

Hades had me under constant surveillance. It was impossible for me to contact anyone outside of my cell. My only hope was the machine. Unfortunately, by the time it was in a sufficient state to begin sending broadcasts, Hades had enough working knowledge of it that there would be no time for anyone to mount a resistance against them. I had to send a warning back through time, but there was a problem. How could I find someone capable of receiving my message?

Then it hit me, there was one person who I might be able to reach; a childhood friend from my hometown of Ghent - Jan Goetgeluk.

## 4. The Mistake

It was the summer of 2003. Jan and I had pooled our resources for a science project, and had procured the necessary components to perform the infamous double-slit experiment. Its quantum mysteries appealed to my theoretical mind, while the mechanical construction involving crystals and lasers was a task that Jan (then a budding mechanical engineer) was eager to take on. Our ambitious brief was to challenge the nature of causality. It was always believed that information cannot travel back in time, and yet it had been proven that a photon can be made to retro-actively collapse after it has reached its destination - simply by choosing to either destroy or observe the recorded path it took. We called this phenomenon the 'Medusa effect'.

I devised a method of harnessing the Medusa effect to read about a future event before it had happened. While I must not say too much about how it worked, essentially we ran a series of double-slit experiments and labelled them by letter. Each photon's path would be encrypted, and could not be decoded without the key. This key was a complex formula that related to the contents of an article that would be published by a certain journal, on a certain date. It could not be anticipated, or cracked. The order of letters would in the future determine which data would be revealed, and which would be destroyed - sealing its fate in the present.

# 19-2. TRAVR



In the meantime, we would check the interference patterns of our experiments, which would in theory reveal by association the letters as they would be written in the article. The formula was one of my greatest achievements. It was truly a thing of beauty, especially the line [REMOVED – CLASSIFIED].

In practice, it was a total failure. The read-out was gibberish. Instead of letters all we got back was a random assortment of numbers. I was crushed, while Jan seemed not to mind. Despite the failure, we were both awarded merits for our endeavor.

I'd had complete faith in Jan's assembly, and assumed that what we'd attempted was simply impossible. My recent insight into quantum mechanics now gave me pause to reconsider this. The formula involved was highly complex, and was possibly in error. Fortunately, for years I'd kept detailed records of all my experiments on a pen drive that had survived the attack, and had been brought with me to my cell. I hurriedly opened the files and reviewed my equations.

Sure enough, a simple mistake had thrown the results completely off. I recalculated, and reorganized the output. Shockingly, this now produced a string of text that made perfect sense – the experiment had worked! The story itself was from an online journal; the article recounting the latest defeat in the war against Hades. It listed the casualties with the resigned tone of a civilization on the brink of extinction. It dawned on me that this single incorrect digit had not only corrupted the output, it had also altered the target date. We had been attempting to predict a story not one week ahead, but forty years out!

The fact that the article had yet to be written meant there was still a chance I could contact my old friend Jan, but how could I be sure I'd still be around to send the message, let alone carry on a two-way conversation?

A plan began to form in my mind.

## 5. Message in a Bottle

I used the weapons I had available to me. Now that I had some knowledge of the future and could make contact with the outside world, I persuaded the author of the article to agree that it would be re-worded. In real life it would be meaningless, but our flawed original formula would now output a readable message.

However, altering history is a dangerous business so I had to be careful of its contents. I decided to keep the message in numerical form. It would start with the numbers 17082012. This would be meaningless to us at the time of the experiment, and so I was relying on Jan to have also kept a copy of it in his notebook. I felt there was a good chance of this, as he was even more meticulous and organized than I was.

I trusted that on hearing of my demise it would affect him strongly enough that he would be moved to look over his record of our old experiment, and notice that those first numbers matched the date I was reported dead. If he saw this, I was sure he would then scrutinize the rest of the output, and it would not take him long to realize it was a simple 'letter-number' cipher!

You may be interested to see the rest of the message. Try decoding it!

```
100114 200805 06012005 1506 200805 2315181204 0801140719 0914 200805
02011201140305 19201516 251521 13211920 03151420010320 0318010404150311 0805
030114 08051216 251521 0221091204 0114 012120151301200903 17210114202113
2018011419030509220518 1915 2305 030114 0315131321140903012005 13151805
0506060503200922051225 19201516 09 0123010920 25152118 1805191615141905
011404 2018011419030509220518 01040418051919 19201516 01181801140705 2015
08012205 2008051905 162102120919080504 0914 200805 160518191514011219
19050320091514 1506 20080120 10152118140112 19201516 100114 200805 0609140112
12091405 1506 200805 0517210120091514 230119 2318151407 19201516 030801140705
200805 190503151404 26051815 2015 01 06152118 19201516 20080120 01182009031205
230119 0615182025 2505011819 152120 19201516 09 11141523 251521 030114 0415
20080919 19201516 25152118 061809051404 20180919200114 19201516
```

[Reads – – “Jan the fate of the world hangs in the balance. You must contact Craddock he can help you build an automatic quantum transceiver so we can communicate more effectively. I await your response and transceiver address. Arrange to have these published in the personals section of that journal. Jan the final line of the equation was wrong. Change the second zero to a four. That article was forty years out. I know you can do this. Your friend Tristan.”]



# 19-3. TRAVR



Note: the original experiment was set to output 800 characters (this includes the date at the beginning). The translated message contains 88 words. For some reason the number 8 continues to make an appearance.

I would know soon enough. I made some adjustments to our original experiment and, in combination with my quantum machine I created a 'feedback loop' that would enable limited two-way conversation.

When I turned on the machine and decoded what I hoped would be my first response from Jan, I began to despair. The screen was blank. In frustration I slammed the palm of my hand against the monitor. A moment of static accompanied the adjustment of what must have been a loose connection. In the blink of an eye the static was gone, revealing words I'd hoped and prayed to see:

'Hi Tristan.'

## 6. The Campaign

I worked with my old friend Jan to set up a defense force – TRAVR. This special, covert organization would use my technology to fight Hades. We had little to work with at first. Jan invested as much as he could, but it wasn't enough. We needed to find support from somewhere. As an avid gamer, it occurred to Jan that the prototype we'd built had gaming applications, and so with the timely resurgence of VR we launched a Kickstarter campaign. We called the locomotion device the 'Omni'. The support we got was overwhelming, and our goal was reached in a little over three hours. We realized that we now had an opportunity to use VR to discover and train up the best agents, so we made the creation of this training software our stretch goal. Our campaign went on to achieve over 1.1 million dollars.

## 7. The Crimson Shards

There was no time to lose, so we immediately started looking for recruits. We found two promising candidates – 'Modman' and 'sutekiB' who were both Kickstarter backers and forum moderators. They agreed to help investigate Hades, and began their VR training. As they uncovered startling truths and honed their skills on the Omni, we saw the true potential of the community. I asked Modman to 'leak' some of my messages on YouTube and re-upload my webpage: <http://verstraetenphd.com/> while sutekiB published his findings on his blog, [www.crimsonshards.com](http://www.crimsonshards.com). The reaction was initially incredulous, however we were still able to recruit more agents. Unfortunately, this move also attracted the attention of Hades, and the two became targets.

They followed sutekiB, who noticed the symbol of Hades wherever he would go; while Modman was lucky to escape a serious 'accident' that almost claimed his life, leaving him with a broken leg and fractured pelvis.

To overcome this force of darkness, we needed to expand our ranks – we had to finish the Omni and ship them across the world. If we could unite mankind and locate the shards quickly enough, then Hades would be rendered powerless. The clock was ticking however, and the challenges we faced held back our production month after month. If we didn't ship soon, it would be too late and all our efforts would have been in vain.

If you're reading this, then there is still time.

## 8. You

Agent, we need your help. Use Training Ops to develop the locomotion skills you will need to track down the shards. Use Shadow Ops to test your nerve and prepare for the encounters you will face. Use Arena to hone your combat and team-working ability. When the time is right we will notify you, and the quest for the shards can begin.

Agent, in the meantime there is yet another game – a hidden one, which you can find within the pages of this manual. We've concealed it, and wrapped its objectives in riddles and mysteries. There is more to an agent than the rank they achieve or their position on the leaderboard. Finishing this game will be difficult, but your efforts will be rewarded.

Good luck agent. I hope to meet you someday – in the Verse!

Doc V.

# 20-1. CONSIGNES DE SÉCURITÉ

## ! AVERSTISSEMENT

Pour éviter tout risque de blessure ou de dommage, veuillez lire et suivre toutes les instructions d'assemblage et d'utilisation avant d'utiliser les produits de Virtuix Omni.



## ! AVERSTISSEMENT

Ce produit contient un produit chimique connu dans l'État de Californie pour causer le cancer, des malformations congénitales ou d'autres problèmes de reproduction.



## ! AVERSTISSEMENT

Ne pas utiliser les produits Virtuix Omni si vous êtes enceinte, en état d'ébriété, épileptique, ou en récupération d'une chirurgie majeure, d'une maladie, ou d'une crise cardiaque.



## ! AVERSTISSEMENT

Ce produit est conçu pour utilisation par les adultes en bonne santé entre 4'8" (142 cm) et de 6'5" (195 cm) de hauteur, et pas plus de 285 lbs (130 kg).

**N'essayez pas d'utiliser l'Omni si vous ne répondez pas aux exigences de hauteur/poids, ou si vous n'êtes pas suffisamment en bonne santé pour participer dans de l'exercice physique modéré à intense.**

Consulter un médecin si vous ne savez pas si vous êtes en assez bonne santé pour utiliser les produits Virtuix Omni. Ne pas utiliser l'Omni pendant plus d'une heure à la fois. Le non-respect de suivre les instructions d'utilisation peut entraîner des blessures.

## ! MISE EN GARDE

Placez le tapis Omni inclus sur la surface visée avant la mise en place de l'Omni. Le tapis Omni fournit des instructions importantes pour la sécurité du placement, étend la zone de sécurité pour le port des chaussures Omni, aide à contrôler le bruit, et protège contre les dommages causés aux sols.



**L'utilisation du Virtuix Omni sur les planchers en bois sans le tapis Omni peut provoquer des dommages de rayures à la surface du sol.**

## ! MISE EN GARDE

Avant d'utiliser les produits Virtuix Omni, assurez-vous que l'Omni est placé dans un endroit sûr où l'extension complète de vos membres (y compris les accessoires ou dispositifs portables) ne peut pas contacter tous les murs, le plafond, les meubles, les lumières, les ventilateurs, ou d'autres obstacles. Ne placez pas l'Omni où il empêche l'accès à d'autres personnes aux sorties ou aux services d'urgence, ou partout où les gens peuvent avoir besoin de se déplacer.



**Ne pas laisser les animaux ou les petits enfants dans la région immédiate au cours du jeu.**

## ! MISE EN GARDE

Avant l'utilisation, inspectez toutes les pièces pour confirmer qu'ils sont en état de marche et qu'il n'y a pas de fissures, de déchirures, de bosses, de flexion, ou d'autres signes d'usure et de déchirure dans le produit et les accessoires. Vérifiez toutes les connexions et les pièces mobiles, et confirmer que tous les écrous, les boulons et autres points de tension du cadre de base de l'Omni sont solidement fixées.

## ! MISE EN GARDE

La surface de la base de l'Omni est glissante. Tenez toujours l'anneau avec les deux mains à l'entrée et la sortie de l'Omni.



## ! AVERSTISSEMENT

Fixez l'Omni à l'intérieur du harnais et reposant sur le dessus de l'anneau, avant que vous entriez dans l'Omni. **N'utilisez jamais l'Omni sans le harnais de sécurité inclus !**

## ! AVERSTISSEMENT

Pour éviter tout risque de blessure, suivez les instructions liées à l'usure et à l'utilisation des chaussures et du harnais de sécurité Omni.



**Ne portez pas ou n'utilisez pas les chaussures Omni à l'extérieur du Virtuix Omni.**

**Enlevez les chaussures Omni lors de la sortie de l'Omni.**

## ! MISE EN GARDE

Attention lors du démontage de l'Omni : les bras sont à ressort et bondiront une fois que le carré de déclenchement de sécurité est dégagé. Ne dégagé pas le carré de déclenchement de sécurité sur le tour, sauf si le bras est dans sa position la plus haute (marquée par le chiffre « 8 »).

## ! AVERSTISSEMENT

L'utilisation des visiocasques de réalité virtuelle (« RV ») peut présenter des risques de blessures. Assurez-vous de lire et de suivre toutes les instructions du fabricant et de respecter tous les avertissements liés à l'utilisation de dispositifs RV (vendus séparément).

## ! AVERSTISSEMENT

Risque d'étouffement : ne laissez pas les goussets Omni ou d'autres petites pièces où ils peuvent être atteints par des enfants ou des animaux. **Les petites pièces présentent un risque d'étouffement. Les goussets contiennent des batteries au Lithium-ion et peuvent être nocives en cas d'ingestion.**



# 20-2. GARANTIE LIMITÉE

## La déclaration de garantie limitée

Virtuix, Inc. (« Virtuix ») applique la garantie limitée exclusive suivante (la « garantie limitée ») à vous, l'acheteur initial du produit Virtuix (« vous »). La garantie limitée s'applique seulement à vous et n'est pas transférable à toute personne qui achète ou loue ultérieurement le produit, ou autrement obtient le produit de vous, et s'applique seulement à votre usage non commercial du produit. La garantie limitée est valide seulement pour les produits achetés directement à partir de Virtuix ou auprès de revendeurs agréés dans les territoires autorisés de distribution définis par Virtuix et répertoriés sur le site web de Virtuix au moment de l'achat (le « marché de la distribution »). **L'utilisation non autorisée ou à la revente du produit annulera cette garantie limitée.**

Virtuix garantit que ses produits seront exempts de défauts de matériaux et de fabrication pendant la période de garantie limitée. Au cours de la période de garantie limitée, Virtuix à son choix : (1) fournira les pièces de rechange nécessaires à la réparation du produit ; (2) réparera le produit ou le remplacera par un produit comparable ; ou, Virtuix à son choix, (3) vous remboursera un montant égal à la durée de vie restante du produit (calculé comme suit : le montant que vous avez payé pour le produit, divisé par douze, multiplié par le nombre de mois restants sur la garantie limitée pour une période d'un an). Les pièces de rechange et les produits de remplacement seront fournis uniquement à l'intérieur d'un marché de distribution autorisée ; il sera neuf ou très peu utilisé, comparable dans la fonction et les performances à la pièce d'origine ou du produit ; et sera garanti pour le reste de la période de garantie initiale ou, si plus long que 90 jours après ils vous sont expédiés.

## Les modalités et les conditions (exclusions et limitations)

### 1. Les modalités

La période de garantie pour les produits Virtuix est de douze (12) mois à compter de la date de livraison initiale à vous, tant que le produit reste en possession de l'acheteur initial. Notez que certains composants du produit (par exemple, les chaussures et les ceintures) sont conçus pour être portés et la durée de vie de ces composants varie en fonction du degré d'utilisation. L'usure normale n'est pas spécifiquement couverte par la garantie limitée, les composants portables peuvent avoir besoin d'être remplacés plus fréquemment qu'une fois par an, en fonction du degré d'utilisation. Virtuix n'a aucune responsabilité pour les coûts de remplacement de ces composants portables.

### 2. Les limitations et exclusions

Cette garantie limitée ne couvre pas, et Virtuix n'est pas responsable pour :

- a. La livraison, le montage, l'installation, le paramétrage ou le réglage pour les produits originaux ou de remplacement ou la main d'œuvre ou d'autres coûts associés à l'enlèvement ou le remplacement du produit.
- b. Les dommages causés par une mauvaise utilisation, un abus, un accident, un incendie, une inondation, le vent, la foudre, le gel ou d'autres ressources naturelles de la météo ou des conditions d'exposition de toute nature ; la négligence, le vol, le vandalisme, l'égarement, les surtensions, les fluctuations, les réductions ou les échecs ; le raccordement à une tension inappropriée ou incorrecte de la ligne électrique de tension, les virus, les logiciels malveillants, téméraires, volontaires, ou une conduite intentionnelle ; ou de toute modification ou utilisation du produit qui n'est pas autorisée ou recommandée par Virtuix.
- c. Les dommages causés par l'entretien ou la tentative de service non autorisé par Virtuix.
- d. Les dommages causés par un usage non conforme aux instructions du produit ou au manuel de l'utilisateur, y compris les dommages causés par un nettoyage ou un entretien préventif non effectué.
- e. Les produits utilisés à des fins commerciales ou pour un usage autre que l'usage personnel et non commercial de l'acheteur initial.
- f. Les dommages causés par la combinaison des produits avec d'autres produits non-Virtuix, des accessoires, des pièces ou des composants ou l'utilisation des produits, des équipements, des services publics, des services, ou des parties (y compris les applications, les installations, les réparations, le câblage, les connecteurs) non fournis ou autorisés par Virtuix qui endommagent le produit ou entraînent des problèmes de service.
- g. Les dommages ou défaillances dues à l'usure normale, un mauvais montage ou entretien ou l'installation de pièces ou d'accessoires non prévus à l'origine ou compatible avec le produit Virtuix.
- h. Un fonctionnement sans interruption ou sans erreur du produit.
- i. Le logiciel, y compris le micrologiciel, installé sur ou ajouté au produit (pour les conditions de service liées aux logiciels, reportez-vous à l'accord de licence de l'utilisateur final applicable).
- j. Les dommages de nature esthétique, la finition extérieure, la décoloration de la peinture ou du plastique, ou d'autres problèmes qui n'altèrent pas la fonctionnalité du produit.
- k. Les modifications ou les adaptations apportées pour permettre à un produit de fonctionner dans un pays autre que le pays pour lequel il a été conçu, fabriqué, approuvé ou autorisé à la vente ; ou la réparation des produits endommagés par ces modifications.

# 20-2. GARANTIE LIMITÉE

## 3. Les instructions pour obtenir le service de garantie limitée

Pour obtenir le service de garantie, vous devez livrer le produit, port payé, dans son emballage d'origine ou dans un emballage offrant un degré de protection équivalant au centre de service autorisé et spécifié de Virtuix. Un reçu d'achat daté est nécessaire. Pour obtenir des instructions spécifiques sur la façon d'obtenir le service de garantie pour votre produit :

Contactez le service and le soutien de Virtuix à :

[support@virtuix.com](mailto:support@virtuix.com)

Vous pouvez être demandé d'assister Virtuix dans le diagnostic des problèmes avec votre produit avant de retourner le produit à Virtuix, et vous acceptez de fournir une telle assistance. Virtuix peut exiger que vous expédiez le produit ou certaines parties à Virtuix. Vous êtes responsable des coûts associés à l'expédition des produits ou des parties à Virtuix (ou à un centre de service dans votre région spécifiée par Virtuix). Virtuix remboursera les frais de transport si la réclamation est jugée valide. Vous êtes responsable d'assurer que toutes les pièces et tous les composants sont envoyés à Virtuix, et qu'aucun élément personnel ou provenant de tiers, ou, les composants sont retournés à Virtuix. Virtuix ne retournera pas et n'est pas responsable pour les pertes ou les dommages des éléments personnels ou provenant de tiers, envoyés par erreur à Virtuix. VOUS ÊTES RESPONSABLE DE TOUT DOMMAGE AU PRODUIT LORS DE L'EXPÉDITION À VIRTUIX OU AU CENTRE DE SERVICE AUTORISÉ DE VIRTUIX.

## 4. Les garanties implicites

SAUF DANS LA MESURE INTERDITE PAR LA LOI APPLICABLE, TOUTE GARANTIE IMPLICITE DE QUALITÉ MARCHANDE, D'ADÉQUATION À UN USAGE PARTICULIER ET DE NON-CONTREFAÇON EST LIMITÉE DANS LE TEMPS À LA DURÉE DE CETTE GARANTIE.

## 5. La limitation de responsabilité

VIRTUIX NE SERA PAS TENU RESPONSABLE DES DOMMAGES CONSÉCUTIFS OU INDIRECTS RÉSULTANT DU NON-RESPECT DE TOUTE GARANTIE EXPRESSE OU IMPLICITE. LA LIMITE DE RESPONSABILITÉ DE VIRTUIX EST LIMITÉE AU PRIX D'ACHAT PAYÉ POUR LE PRODUIT. VIRTUIX N'EST PAS RESPONSABLE ENVERS VOUS POUR LES ÉVÉNEMENTS AU-DELÀ DU CONTRÔLE DE VIRTUIX, LES CATASTROPHES NATURELLES, LES VIRUS, LE DOMMAGE AUX BIENS, LA PERTE D'USAGE, L'INTERRUPTION DES ACTIVITÉS, LA PERTE DE PROFITS, LA PERTE DE DONNÉES OU AUTRES DOMMAGES INDIRECTS, PUNITIFS, OU DES DOMMAGES SPÉCIAUX, QUELQU'EN SOIT LA CAUSE, QUE CE SOIT POUR RUPTURE DE GARANTIE, UN CONTRAT, UN DÉLIT (Y COMPRIS LA NÉGLIGENCE), LA RESPONSABILITÉ STRICTE OU AUTRE.

Certains états ou juridictions ne permettent pas l'exclusion ou la limitation des dommages consécutifs ou indirects, ou autorisent des limitations sur la durée d'une garantie implicite, de sorte que les limitations ci-dessus peuvent ne pas s'appliquer à vous. Cette garantie limitée vous donne des droits légaux spécifiques et vous pouvez avoir d'autres droits qui varient d'état à état ou par juridiction. Dans la mesure limitée ou restreinte par l'État ou la loi locale, ces limitations s'appliquent dans toute la mesure permise en vertu de cette loi.

## 6. Toute tentative de réparation du produit peut entraîner un risque de blessure

VIRTUIX N'EST PAS RESPONSABLE DE TOUT DOMMAGE, DE LA PERTE OU DE LA RESPONSABILITÉ DÉCOULANT D'UNE BLESSURE SUBIE AU COURS DE, OU RÉSULTANT DE, TOUTE RÉPARATION OU TENTATIVE DE RÉPARATION EFFECTUÉE PAR VOUS OU PAR QUELQU'UN D'AUTRE QU'UN TECHNICIEN DE SERVICE AUTORISÉ. Toutes les réparations tentées par vous sur le produit sont À VOS PROPRES RISQUES, et Virtuix n'assume aucune responsabilité pour tout dommage à une personne ou aux biens découlant de telles réparations non autorisées.

## 7. Le soutien international

Le soutien, y compris la réparation et le remplacement est assuré seulement dans les marchés de distribution autorisés. Vous êtes responsable et devez respecter toutes les lois et réglementations applicables à l'exportation en vigueur si vous exportez le produit depuis le lieu d'achat d'origine. Les clients à l'extérieur des États-Unis sont responsables du paiement de tous les frais de transport et les frais de courtage encourus pour l'expédition (y compris les coûts d'importation / d'exportation) de pièces défectueuses retournées à Virtuix, à condition que Virtuix rembourse les frais engagés si une demande de garantie valide est faite. Les clients internationaux sont responsables de tous les droits de douane, la TVA, la TPS et autres taxes et frais associés.

## 8. Général

Cette déclaration de garantie limitée fournit la totalité de l'obligation de Virtuix en ce qui concerne la réparation, le remplacement ou le soutien du produit. La déclaration de garantie limitée ne doit pas être modifiée, altérée, amendée ou complétée, sans l'accord écrit de Virtuix qui précise que cet écrit vise à modifier, altérer, amender ou compléter cette déclaration de garantie limitée. Tous les termes altérés ou supplémentaires seront considérés nuls et non avens, sauf s'ils sont expressément convenus par écrit par Virtuix. Si l'un des termes de cette déclaration de garantie limitée est jugé illégal ou inapplicable, la légalité ou le caractère exécutoire des dispositions restantes ne sera pas affecté or altéré. Cette déclaration de garantie limitée et toutes autres ventes ou obligations créées en vertu des présentes doivent être régies par les lois de l'État du Texas, sans tenir compte de l'impact de toutes les règles de conflit de lois qui en découlent.

Cette garantie limitée vous donne des droits légaux spécifiques. Vous pouvez également avoir d'autres droits qui varient d'état à état, d'une juridiction à l'autre, ou d'une province à l'autre.

# 20-3. INSTRUCCIONES DE SEGURIDAD

## ! ADVERTENCIA

Para evitar los riesgos de lesiones o daños, lea y siga todas las instrucciones de montaje y de uso antes de usar los productos Virtuix Omni.



## ! ADVERTENCIA

Este producto contiene químicos que son conocidos en el Estado de California por causar cáncer y defectos de nacimiento u otros daños reproductivos.



## ! ADVERTENCIA

No utilice los productos Virtuix Omni si es epiléptico o está embarazada, en estado de embriaguez o está recuperándose de una cirugía mayor, enfermedad o ataque al corazón.



## ! ADVERTENCIA

Este producto debe ser utilizado por adultos saludables que posean una altura de entre 4'8" (142 cm) y 6'5" (195 cm), y que no pesen más de 285 lbs (130 kg).

**No intente utilizar Omni si no cumple con los requisitos de altura y peso, o si no se encuentra lo suficientemente saludable para realizar ejercicios físicos moderados o intensos.**

Consulte a un médico si no está seguro de si usted está lo suficientemente sano para utilizar los productos Virtuix Omni. No use el Omni por más de una hora a la vez. Si no se siguen las instrucciones de uso, puede lesionarse.

## ! PRECAUCIÓN

Coloque la Alfombrilla Omni en la superficie deseada antes de configurar el Omni. La Alfombrilla Omni brinda instrucciones importantes para una ubicación segura, amplía el área de seguridad para los Zapatos Omni, ayuda a controlar el sonido, y cuida el suelo contra daños.



**Usar el Virtuix Omni sin la Alfombrilla Omni en pisos de madera puede causar daños por rasguños a la superficie del suelo.**

## ! PRECAUCIÓN

Antes de utilizar los productos Virtuix Omni, asegúrese de que el Omni esté ubicado en un lugar seguro donde pueda extender completamente sus brazos y piernas (incluyendo cualquier accesorio o dispositivo) sin tocar las paredes, techo, muebles, lámparas, ventiladores y otros obstáculos. No ponga el Omni donde obstruya el acceso de otras personas a las salidas o servicios de emergencia o a cualquier lugar al que las personas necesiten ir.



**No permita que los niños o los animales estén en las inmediaciones durante el juego.**

## ! PRECAUCIÓN

Antes de usar, inspeccione todas las piezas para confirmar que estén en buen estado y no haya grietas, desgarros, bultos, flexiones u otros signos de uso y desgaste en el producto y los accesorios. Revise todas las conexiones y las piezas móviles, y confirme que todas las tuercas, pernos y otros puntos de tensión de la estructura de la Base Omni estén bien sujetos.

## ! PRECAUCIÓN

La superficie de la Base Omni es resbaladiza. Siempre sosténgase del Anillo con ambas manos al entrar y salir del Omni.



## ! ADVERTENCIA

Asegure el Arnés Omni interior y el que está sobre el Anillo antes de entrar en el Omni. **Nunca utilice el Omni sin el Arnés de Seguridad incluido!**

## ! ADVERTENCIA

Para evitar el riesgo de lesiones, siga las instrucciones relacionadas con el desgaste y el uso de los Zapatos Omni y el Arnés de Seguridad.



**No use el calzado Omni fuera del Virtuix Omni.**

**Quítese el calzado Omni al salir del Omni.**

## ! PRECAUCIÓN

Tenga cuidado al desarmar el Omni: los Brazos contienen resortes y saltarán una vez se desacople el cuadro de seguridad. No desacople el cuadro de seguridad en la Torre a menos que el Brazo esté en su posición más alta (marcado por el número "8").

## ! ADVERTENCIA

El uso de los dispositivos para la cabeza de Realidad Virtual ("VR") pueden presentar un riesgo de lesiones. Asegúrese de leer y seguir las instrucciones del fabricante y prestar atención a todas las advertencias relacionadas al uso de los dispositivos (se venden por separado).

## ! ADVERTENCIA

Riesgo de asfixia: no deje los Omni Pods u otras partes pequeñas donde los niños o animales puedan alcanzarlas. **Las partes pequeñas representan un riesgo de asfixia. Los Pods contienen baterías de iones de litio y pueden ser nocivas si son ingeridas.**



# 20-4. GARANTÍA LIMITADA

## Declaración de Garantía Limitada

Virtuix, Inc. ("Virtuix") extiende la siguiente garantía limitada exclusiva (la "Garantía Limitada") a usted, el comprador original del Producto Virtuix ("Usted"). La Garantía Limitada se extiende solo a Usted y no es transferible a nadie que posteriormente compre, arriende u obtenga de otro modo el Producto de parte de Usted, y aplica solo al uso no comercial que Usted haga del Producto. La Garantía Limitada es válida solo para Productos comprados directamente a Virtuix o de otros revendedores autorizados en territorios de distribución autorizados según los define Virtuix y aparecen en una lista publicada en el sitio web de Virtuix para la fecha de la compra (el "Mercado de Distribución"). **El uso o la reventa no autorizada del Producto anularán la presente Garantía Limitada.**

Virtuix garantiza que sus productos estarán libres de defectos en materiales y mano de obra para el período de vigencia de la Garantía Limitada. Durante el Período de Garantía Limitada Virtuix, a su entera discreción, va a: (1) ofrecer reemplazo de las partes necesarias para reparar el producto; (2) reparar el Producto o reemplazarlo con un producto comparable; o, según la decisión de Virtuix, (3) reembolsarle a Usted un monto equivalente al resto de la vida útil del Producto (calculada así: el monto que Usted pagó por el Producto, dividido por doce, multiplicado por el número de meses que quedan del período de garantía limitada por un año). Las piezas de reemplazo y los Productos de reemplazo serán provistos solo dentro de un Mercado de Distribución autorizado; serán nuevos o usados aptos para mantención, comparables en función y rendimiento a la parte o Producto original; y estarán garantizados por el resto del período de garantía original o, si es más largo, 90 días posteriores a que sean enviados a Usted.

## Términos y condiciones (exclusiones y limitaciones)

### 1. Vigencia

El Período de Garantía para los Productos Virtuix es de doce (12) meses a partir de la fecha de entrega original a Usted, siempre que el Producto siga en posesión del comprador original. Note que ciertos componentes del producto (por ejemplo, zapatos y cinturones) están diseñados para usarse y la vida útil de dichos componentes variará dependiendo del grado de uso que de ellos se haga. El desgaste y las roturas normales específicamente no están cubiertos por la Garantía Limitada, y puede ser necesario reemplazar los componentes usables antes de cumplido el año, dependiendo del grado de uso. Virtuix no asume responsabilidad por el costo de reemplazo de dichos componentes usables.

### 2. Limitaciones y exclusiones (qué no está cubierto)

Esta Garantía Limitada no cubre, y Virtuix no es responsable de:

- a. La entrega, el armado, la instalación, la configuración o el ajuste de Productos originales o de reemplazo ni por mano de obra ni otros costos asociados con la remoción o reemplazo del Producto.
- b. El daño provocado por mal uso, abuso, accidente, incendio, inundación; viento, rayo, heladas u otras condiciones climáticas o exposición a condiciones climáticas de cualquier tipo; negligencia, robo, vandalismo, extravío, alzas de voltaje, fluctuaciones, reducciones o interrupción del suministro eléctrico; conexiones a voltaje incorrecto o voltaje de línea eléctrica incorrecto; virus, malware, conducta temeraria, deliberada o intencional; o cualquier modificación o uso del Producto que no esté autorizado o recomendado por Virtuix.
- c. El daño provocado por servicio o intento de servicio no autorizado por Virtuix.
- d. El daño provocado por el uso que no sea acorde con las instrucciones del Producto o el Manual del Usuario, incluidos daños provocados por no realizar limpieza o mantenimiento preventivo.
- e. Los productos usados para cualquier fin comercial, o para cualquier uso distinto del uso personal no comercial del comprador original.
- f. Los daños provocados por la combinación de Productos con otros productos, accesorios, partes o componentes que no son de Virtuix, o el uso de productos, equipo, servicios básicos, servicios o partes (incluidas aplicaciones, instalaciones, reparaciones, cableado o conectores) no provistos o autorizados por Virtuix que dañen el Producto o provoquen problemas de servicio.
- g. El daño o falla debido a desgaste y rotura normales, armado o mantenimiento incorrecto, o instalación de partes o accesorios no diseñados originalmente para o incompatibles con el Producto Virtuix.
- h. El funcionamiento ininterrumpido o sin errores del Producto.
- i. Software, incluido firmware, instalado o agregado al Producto (para términos de servicio relacionados con Software, refiérase al Acuerdo de Licencia de Usuario Final correspondiente).
- j. El daño cosmético, acabado exterior, decoloración de pintura o plástico, u otros problemas que no afecten la funcionalidad del Producto.
- k. Las modificaciones o adaptaciones hechas para habilitar el Producto de manera que opere en un país distinto al país para el cual fue diseñado, fabricado, aprobado o autorizado para su venta; o la reparación de Productos dañados por estas modificaciones.

# 20-4. GARANTÍA LIMITADA

## 3. Instrucciones para obtener el Servicio de Garantía Limitada

Si desea obtener el servicio de garantía, debe enviar el producto con el flete pre-pagado, ya sea en su empaque original o en uno que permita un grado de protección igual al momento de ser trasladado a la instalación especificada del servicio autorizado de Virtuix. Se requiere un recibo de compra. Si desea recibir instrucciones específicas sobre cómo obtener el servicio de garantía para su producto:

Póngase en contacto con el servicio Virtuix y el servicio de asistencia a través del correo electrónico: [support@virtuix.com](mailto:support@virtuix.com)

Es posible que usted deba asistir a Virtuix en el diagnóstico de los problemas con su producto antes de devolver el producto a Virtuix y Usted acepta proporcionar esta asistencia. Virtuix puede pedirle que envíe el Producto o ciertas partes a Virtuix. Usted es responsable de los costos asociados con el envío de productos o sus partes a Virtuix (o a un centro de servicios ubicado en el área especificada por Virtuix). Virtuix reembolsará los costos de envío en caso de que el reclamo de garantía sea válido. Usted es responsable de asegurar que todas las partes y componentes sean devueltos a Virtuix y de que no se envíen artículos o elementos personales o de terceros a Virtuix. Virtuix no se hace responsable por pérdida o daño y no devolverá artículos personales o de terceros que hayan sido enviados por error a Virtuix. **USTED ES RESPONSABLE POR CUALQUIER DAÑO CAUSADO AL PRODUCTO DURANTE EL ENVÍO A VIRTUIX O AL CENTRO DE SERVICIO VIRTUIX AUTORIZADO.**

## 4. Garantías implícitas

EXCEPTO CUANDO LA LEGISLACIÓN APLICABLE LO PROHÍBA, CUALQUIER GARANTÍA IMPLÍCITA DE COMERCIALIZACIÓN, IDONEIDAD PARA UN FIN DETERMINADO Y NO VIOLACIÓN SE LIMITA AL PERÍODO DE DURACIÓN DE ESTA GARANTÍA.

## 5. Limitación de responsabilidad

VIRTUIX NO SERÁ RESPONSABLE POR NINGÚN DAÑO INCIDENTAL O CONSECUENTE POR INFRACCIÓN DE NINGUNA GARANTÍA EXPLÍCITA O IMPLÍCITA. LA RESPONSABILIDAD DE VIRTUIX SE LIMITA AL PRECIO DE COMPRA DEL PRODUCTO. VIRTUIX NO ES RESPONSABLE ANTE USTED POR EVENTOS AJENOS AL CONTROL DE VIRTUIX, CASOS FORTUITOS, VIRUS, DAÑO A LA PROPIEDAD, PÉRDIDA POR FALTA DE USO, INTERRUPCIÓN DE ACTIVIDADES COMERCIALES, PÉRDIDA DE UTILIDADES, PÉRDIDA DE DATOS U OTRO DAÑO CONSECUENTE, PUNITIVO O ESPECIAL DE CUALQUIER MODO, YA SEA POR INCUMPLIMIENTO DE LA GARANTÍA, CONTRATO, AGRAVIO (INCLUYENDO NEGLIGENCIA), RESPONSABILIDAD ESTRICTA O ALGUNA OTRA FORMA.

Algunos estados o jurisdicciones no permiten la exclusión o limitación de daños incidentales o consecuentes, o limitaciones sobre la duración de la garantía, por lo tanto las limitaciones arriba mencionadas podrían no aplicarse en su caso. Esta garantía limitada le proporciona derechos legales específicos y usted puede tener otros derechos que varían según el estado o la jurisdicción. Al margen más amplio limitado o restringido por las leyes estatales o locales, estas limitaciones se aplicarán en la medida en la que lo permita la ley.

## 6. Cualquier intento de reparar el producto puede generar riesgo de lesiones

VIRTUIX NO ES RESPONSABLE DE NINGÚN DAÑO, PÉRDIDA O RESPONSABILIDAD QUE RESULTE DE CUALQUIER LESIÓN PERSONAL QUE OCURRA DURANTE O COMO RESULTADO DE CUALQUIER REPARACIÓN O INTENTO DE REPARACIÓN REALIZADO POR USTED O CUALQUIER PERSONA QUE NO SEA EL TÉCNICO DE SERVICIO AUTORIZADO. Cualquier intento de reparación realizado por Usted al producto se realiza bajo SU PROPIO RIESGO y Virtuix no es responsable por ninguna lesión a personas o propiedad que resulte de estas reparaciones no autorizadas.

## 7. Soporte internacional

El soporte, incluyendo la reparación y los repuestos son proporcionados solamente en los Mercados de Distribución autorizados. Usted es responsable y debe cumplir con todas las leyes de exportación aplicables y las regulaciones en caso de que usted exporte el Producto desde el lugar original de compra. Los clientes que se encuentren fuera de los Estados Unidos son responsables por el pago de todos los fletes y comisiones de corretaje incurridas en el envío (incluyendo costos de importación/exportación) de partes defectuosas a Virtuix, bajo la condición de que Virtuix reintegrará los costos incurridos si se realiza un reclamo válido de garantía. Los clientes internacionales son responsables de todos los derechos de aduana, IVA, GST y otros impuestos y cargos asociados.

## 8. General

Esta declaración de garantía limitada presenta la obligación de Virtuix con respecto a la reparación, reemplazo o asistencia del producto. La declaración de garantía limitada no debe ser modificada, alterada, cambiada o complementada sin el consentimiento escrito de Virtuix, que establezca específicamente que el documento tiene como finalidad modificar, alterar, cambiar o complementar esta Declaración de Garantía Limitada. Cualquier término o condición adicional o alterada será considerado como nulo y sin efecto, salvo que sea expresamente acordado por escrito por Virtuix. Si cualquier término de esta Declaración de Garantía Limitada se considera como ilegal o no aplicable, la legalidad o aplicación de las demás disposiciones no serán afectados o perjudicados. Esta Declaración de Garantía Limitada y cualquier venta u obligación que se genere en lo sucesivo serán reguladas por las leyes del estado de Texas, sin considerar el impacto de cualquier conflicto de las leyes en virtud de la misma.

Esta Garantía Limitada le otorga derechos legales específicos. Es posible que usted tenga otros derechos que varíen según el estado, la jurisdicción o la provincia.

# 21. FCC AND IC

## FCC ID:

2AHFN-OMNIV001  
2AHFN-PODV001

## Federal Commission Compliance (FCC) statement (USA)

This device meets the FCC requirements for RF exposure in public or uncontrolled environments. This device complies with FCC part 15 FCC Rules. Operation is subject to the following two conditions: 1. This device may not cause harmful interference and 2. This device must accept any interference received, including interference that may cause undesired operation.

## FCC Warning

Changes or modifications not approved by the manufacturer could void the user's authority to operate the equipment. Note: This equipment has been tested and found to comply with the limits for Class B digital device, pursuant to part 15 of the FCC Rules. These limits are designed to provide reasonable protection against harmful interference in a commercial installation. This equipment generates, uses and can radiate radio frequency energy and, if not installed and used in accordance with the instructions, may cause harmful interference to radio communications. However, there is no guarantee that interference will not occur in a particular installation. If this equipment does cause harmful interference to radio or television reception, which can be determined by turning the equipment off and on, the user is encouraged to try to correct the interference by one or more of the following measures:

- Reorient or relocate the receiving antenna
- Increase the separation between the equipment and receiver
- Connect the equipment into an outlet on a circuit different from that to which the receiver is connected.
- Consult the dealer or an experienced radio/TV technician for help.

## IC ID:

21168-OMNIV001  
21168-PODV001

## IC Warning

This device complies with Industry Canada license exempt RSS standard(s). Operation is subject to the following two conditions:

1. This device may not cause interference, and 2. This device must accept any interference, including interference that may cause undesired operation of the device.

Cet appareil est conforme avec Industrie Canada RSS standard exempts de licence (s). Son utilisation est soumise à Les deux conditions suivantes:

1. cet appareil ne peut pas provoquer d'interférences et 2. cet appareil doit accepter Toute interférence, y compris les interférences qui peuvent causer un mauvais fonctionnement du dispositif.

This device meets the IC requirements for RF exposure in public or uncontrolled environments.

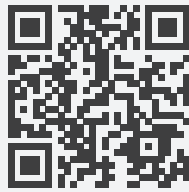
Cet appareil est conforme aux conditions de la IC en matière de RF dans des environnements publics ou incontrôlée.





**Virtuix Inc.** [www.virtuix.com](http://www.virtuix.com)

©Virtuix Holdings Inc. 2016. All rights reserved.  
Virtuix™, Virtuix Omni™, TRAVR™, Omniverse™,  
Omni Connect™, and Omni Online™ are  
trademarks of Virtuix Holdings Inc.  
Made in China



For assistance, contact us at  
[support@virtuix.com](mailto:support@virtuix.com).